



■ Introduction ■

SkyPanel is a compact, ultra-bright and high-quality LED soft light that sets a new standard for the industry. With a design focused on form, colour, beam field and output, SkyPanel represents the culmination of more than a decade of research and development of LED technology at ARRI. SkyPanel is available in several sizes: the S30, S60, S120, and S360. The S60 is a mid-range model, featuring a light aperture of 645 x 300 mm and accommodating the vast majority of applications.

Incorporating features of ARRI's successful L-Series LED Fresnels, SkyPanel is one of the most versatile soft lights on the market, as well as one of the brightest. Like the L-Series, SkyPanel 'C' (Colour) versions are fully tuneable; correlated colour temperature is adjustable between 2,800 K and 10,000 K, with excellent colour rendition over the entire range. Full plus and minus green correction can be achieved with the simple turn of a knob, and in addition to CCT control, vivid colour selection and saturation adjustment is also possible.

Unlike other tuneable fixtures, SkyPanel makes no sacrifice when it comes to light output. SkyPanel puts out a tremendous amount of light, in a soft and uniform beam field. Brighter than a 2 kW tungsten soft light or a 6 kW tungsten space light, the SkyPanel S60 has more than enough light for most applications. At the same time, the lamphead is able to perform beautifully at lower light levels. This range of illumination and colour gives users an unprecedented amount of control.

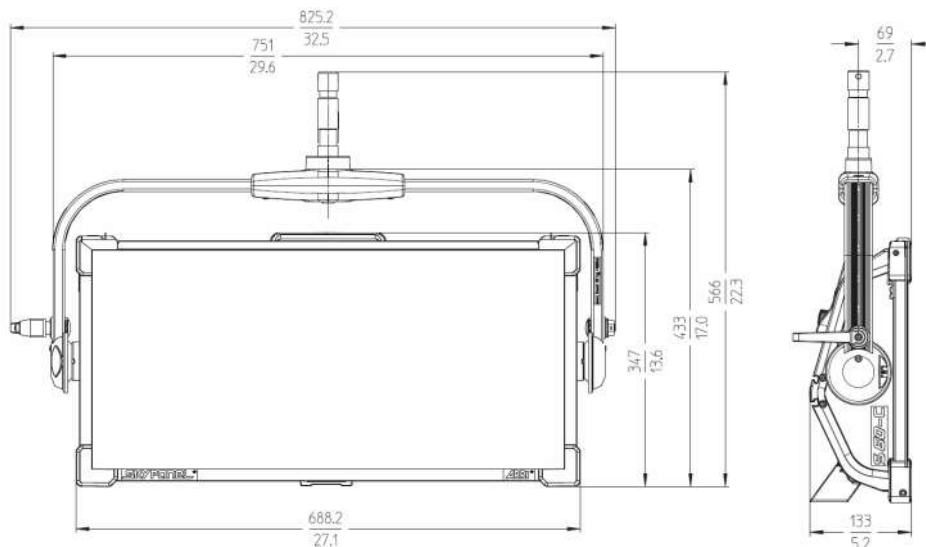
Photometric Data

| | 3 m / 9.8 ft | | 5 m / 16.4 ft | | 7 m / 23 ft | | 9 m / 29.5 ft | |
|-------------------------------|--------------|---------|---------------|---------|-------------|---------|---------------|---------|
| S60-C | 3,200 K | 5,600 K | 3,200 K | 5,600 K | 3,200 K | 5,600 K | 3,200 K | 5,600 K |
| S60-C with Standard Diffusion | 1258 lx | 1233 lx | 453 lx | 444 lx | 231 lx | 227 lx | 140 lx | 137 lx |
| | 117 fc | 115 fc | 42 fc | 41 fc | 21 fc | 21 fc | 13 fc | 13 fc |
| S60-C with Lite Diffusion | 1280 lx | 1254 lx | 461 lx | 452 lx | 235 lx | 230 lx | 142 lx | 139 lx |
| | 119 fc | 117 fc | 43 fc | 42 fc | 22 fc | 21 fc | 13 fc | 13 fc |
| S60-C with Heavy Diffusion | 994 lx | 974 lx | 358 lx | 351 lx | 183 lx | 179 lx | 110 lx | 108 lx |
| | 92 fc | 91 fc | 33 fc | 33 fc | 17 fc | 17 fc | 10 fc | 10 fc |
| S60-C with Intensifier | 1981 lx | 1942 lx | 713 lx | 699 lx | 364 lx | 357 lx | 220 lx | 216 lx |
| | 184 fc | 180 fc | 66 fc | 65 fc | 34 fc | 33 fc | 20 fc | 20 fc |

■ Specifications ■

| Lamphead | |
|---|---|
| Optical System | Soft Diffusion Panel |
| Light Aperture | 645 x 300 mm / 25.4 x 11.8" |
| Beam Angle | 115° (Half Peak Angle) |
| Weight | Manual Version: 12.8 kg / 28.2 lbs Pole Op Version: 14.1 kg / 31.1 lbs |
| Handling | Aluminium Yoke, High Strength Tilt Lock, Pole Operation Option (Pan & Tilt) |
| Mounting | 28 mm Spigot (Junior Pin) |
| Tilt Angle | +/- 90° |
| Lamphead Voltage Input | 48 V DC |
| Power Consumption | 420 W Nominal, 450 W Maximum |
| Lamphead Power Connection | Male 3-Pin XLR to 15 Amp (Pin 1: Negative / Pin 2: Positive) |
| Battery Connector | Male 4-Pin XLR to 10 Amp (Pin 1: Negative / Pin 4: Positive) |
| Battery DC Voltage Range | 23 to 36 V DC |
| Battery Mode Light Output | 50 % of total output |
| White Light | 2,800 K to 10,000 K continuously variable correlated color temperature |
| Colored Light | Full RGB+W color gamut with Hue and Saturation control |
| Color Temperature Tolerance | +/- 100 K (nominal), +/- 1/8 Green-Magenta (nominal) |
| Color Rendition | CRI Average > 95 TLCI Average > 90 |
| Green-Magenta Adjustment | continuously adjustable (Full Minusgreen to Full Plusgreen) |
| Dimming | 0 to 100 % continuous |
| Control | On-Board Controller, 5-Pin DMX In and Through, EtherCon LAN network connectivity, USB-A, Art-Net |
| Remote Device Management (RDM) | DMX Setup, Hour Counter and Standard RDM commands |
| Software Interface | Ethernet: DMX Setup, Fixture Status and Firmware Upgrade through PC, Mac USB-A: Software Upgrade via flash drive |
| Housing Color | Blue/Silver, Black |
| Ambient Temp Operation | -20 to +45° C (-4 to +113° F) |
| Protection Class / IP Rating | III / IP20 |
| Estimated LED Lifetime | (L70)50,000 hours |
| Estimated Color Shift Over Lifetime (CCT) | +/- 5 % |
| Certifications | CE, CB, ENEC, cNRTLus, FCC, PSE |

■ Dimensions ■



■ Specifications ■

| Power Supply Unit | |
|---------------------------|--|
| Power Supply Input Range | 110 to 240 V ~, 50/60 Hz |
| Power Supply Output Range | 48 V DC |
| Power Input Connection | powerCON TRUE1 (Bare Ends / Schuko / Edison cables available) |
| Power Output Connection | Female 3-Pin XLR to 10 Amp (Pin 1: Negative / Pin 2: Positive) powerCON TRUE1 (mains power through) |
| Weight | 3.5 kg / 7.7 lbs |
| Dimensions | 383 x 191 x 91 mm / 15.1 x 7.5 x 3.6" |
| Control | On-Board On/Off Switch |
| Mounting | SkyPanel PSU Super Clamp Adapter / Rail Mount Adapter |
| Certifications | CE, CB, ENEC, cNRTLus, FCC |

All specifications are nominal / typical values.

■ Dimensions ■

