

COLORADO *SOLO BAR*₁

User Manual



Model ID: COLORADOSOLOBAR1

Edition Notes

The COLORado Solo Bar 1 User Manual includes a description, safety precautions, installation, programming, operation, and maintenance instructions for the COLORado Solo Bar 1 as of the release date of this edition.

Trademarks

Chauvet, Chauvet Professional, the Chauvet logo, and COLORado are registered trademarks or trademarks of Chauvet & Sons, LLC (d/b/a Chauvet and Chauvet Lighting) in the United States and other countries. Other company and product names and logos referred to herein may be trademarks of their respective companies.

Copyright Notice

The works of authorship contained in this manual, including, but not limited to, all designs, text, and images are owned by Chauvet.

© Copyright 2024 Chauvet & Sons, LLC. All rights reserved.

Electronically published by Chauvet in the United States of America.

Manual Use

Chauvet authorizes its customers to download and print this manual for professional information purposes only. Chauvet expressly prohibits the usage, copy, storage, distribution, modification, or printing of this manual or its content for any other purpose without written consent from Chauvet.

Document Printing

For best results, print this document in color, on letter size paper (8.5 x 11 in), double-sided. If using A4 paper (210 x 297 mm), configure the printer to scale the content accordingly.

Intended Audience

Any person installing, operating, and/or maintaining this product should completely read through the guide that shipped with the product, as well as this manual, before installing, operating, or maintaining this product.

Disclaimer

Chauvet believes that the information contained in this manual is accurate in all respects. However, Chauvet assumes no responsibility and specifically disclaims any and all liability to any party for any loss, damage or disruption caused by any errors or omissions in this document, whether such errors or omissions result from negligence, accident, or any other cause. Chauvet reserves the right to revise the content of this document without any obligation to notify any person or company of such revision, however, Chauvet has no obligation to make, and does not commit to make, any such revisions.

Document Revision

Go to www.chauvetprofessional.com for the latest version.

Revision	Date	Description
1	08/2024	Initial release.

TABLE OF CONTENTS

1. Before You Begin	1
What Is Included	1
Claims	1
Text Conventions	1
Symbols	1
Safety Notes.....	2
FCC Statement of Compliance	3
RF Exposure Warning for North America and Australia.....	3
Expected LED Lifespan.....	3
2. Introduction	4
Description	4
Features.....	4
Product Overview.....	4
Product Dimensions	5
3. Setup	6
AC Power.....	6
AC Plug	6
Power Linking.....	6
Signal Connections	6
Control Personalities	6
DMX Linking.....	6
Remote Device Management	6
Master/Slave Connectivity.....	7
Art-Net™ Connection.....	7
sACN Connection.....	7
Ethernet Connection Diagram.....	7
Lumenradio CRMX™ Connection	8
Initial Setup.....	8
Configuration	8
Product Pairing.....	8
USB Software Update	9
Fixture To Fixture Software Update	9
Force Upload.....	10
Mounting	11
Orientation.....	11
Rigging	11
Procedure.....	11
Mounting Diagram.....	11
Glare Shield and Filters.....	12
Guide Pins.....	13
4. Operation	14
Control Panel Description	14
Programming.....	14
Passcode	14
Menu Map	14
Control Configuration	19

Control Mode.....	19
Control Personalities	19
Starting Address.....	20
Ethernet Settings.....	21
IP Mode	21
Universe	21
Start Channel.....	21
IP Address	21
Ethernet to DMX	21
Virtual Color Wheel	22
Virtual Color Wheel Chart	22
Color Temperature Chart	23
DMX Channel Assignments and Values	23
Control Chart.....	23
Strobe Chart.....	23
4 Cell Personalities	24
XY.....	24
RGB 12ch - RGBWL Full 67ch	25
HSV 13ch	27
CCT 13ch	27
2 Cell Personalities	28
XY.....	28
RGB 6ch - RGBWL Full 35ch	28
HSV 7ch	29
CCT 7ch	29
1 Cell Personalities	30
XY.....	30
RGB 3ch - RGBWL Full 19ch	30
HSV 4ch	30
CCT 4ch	31
Standalone Configuration.....	31
Static Mode	31
Fixed Colors	31
Manual Color Mixer	31
Color Temperature	31
Auto Show	31
Virtual Color Wheel.....	31
Color X-Fade Speed	31
Settings Configuration.....	32
Master/Slave	32
Test Modes	32
Wireless Lumenradio CRMX™ Settings	32
Toggle CRMX™	32
Receiver Reset	32
Wireless to DMX.....	32
Other Settings	32
Cell Order	32
Color Calibration.....	32
Red Shift.....	33
Dimmer Curve	33
Dimmer Speed Mode.....	33
Display Backlight	33
Display Invert.....	33
Pulse Width Modulation.....	33
Key Lock.....	33

Table of Contents

Info & Updating	33
Information.....	33
Temperature	33
Clock Setting	34
Current Time.....	34
Factory Reset.....	34
Web Server	34
Home.....	34
Settings	34
Output	34
Security	34
Error Codes.....	34
5. Maintenance.....	35
Product Maintenance	35
Torque Measurements	35
Vacuum Test Measurements	35
6. Technical Specifications	36
Contact Us	37
Warranty & Returns.....	37

1. Before You Begin

What Is Included

- COLORado Solo Bar 1
- Seetronic Powerkon IP65 power cable
- Omega brackets with mounting hardware
- 50/50 filter, Cyc filter, Stealth filter, Clear protective filter (installed)
- Glare shield
- Quick Reference Guide

Claims

Carefully unpack the product immediately and check the container to make sure all the parts are in the package and are in good condition.




If the box or the contents (the product and included accessories) appear damaged from shipping, or show signs of mishandling, notify the carrier immediately, not Chauvet. Failure to report damage to the carrier immediately may invalidate a claim. In addition, keep the box and contents for inspection.

For other issues, such as missing components or parts, damage not related to shipping, or concealed damage, file a claim with Chauvet within 7 days of delivery.

Text Conventions

Convention	Meaning
1–512	A range of values
50/60	A set of values of which only one can be chosen
Settings	A menu option not to be modified
<ENTER>	A key to be pressed on the product’s control panel

Symbols

Symbol	Meaning
	Critical installation, configuration, or operation information. Not following these instructions may make the product not work, cause damage to the product, or cause harm to the operator.
	Important installation or configuration information. The product may not function correctly if this information is not used.
	Useful information.



Any reference to data or power connections in this manual assumes the use of Seetronic IP rated cables.



The term “DMX” used throughout this manual refers to the USITT DMX512-A digital data transmission protocol.

Connection of the control signal: DMX line

- The product has XLR sockets for DMX input and output.
- **Notice:** This control circuit is isolated and belongs to the Class 2 data port.

The control circuit has a cumulative leakage current of less than 3.5 mA.

Before You Begin

Safety Notes

Read all the following safety notes before working with this product. These notes contain important information about the installation, usage, and maintenance of this product.



This product contains no user-serviceable parts. Any reference to servicing in this User Manual will only apply to properly trained, certified technicians. Do not open the housing or attempt any repairs.



All applicable local codes and regulations apply to proper installation of this product.

- The luminaire is intended for professional use only.
- The luminaire should be positioned so that prolonged staring into the luminaire at a distance closer than 7.5 ft (2.3 m) is not expected.
- If the external flexible cable or cord of this luminaire is damaged, it shall be replaced by a special cord or cord exclusively available from the manufacturer or its service agent.
- The light source contained in this luminaire shall only be replaced by the manufacturer or its service agent or a similar qualified person.
- **CAUTION:**
 - This product's housing may be hot when operating. Mount this product in a location with adequate ventilation, at least 20 in (50 cm) from adjacent surfaces.
 - When transferring the product from extreme temperature environments, (e.g., cold truck to warm humid ballroom) condensation may form on the internal electronics of the product. To avoid causing a failure, allow the product to fully acclimate to the surrounding environment before connecting it to power.
 - Flashing light is known to trigger epileptic seizures. User must comply with local laws regarding notification of strobe use.
- **ALWAYS:**
 - Disconnect from power before cleaning the product.
 - When using an IP65-rated product in an outdoor environment, use IP65- (or higher) rated power and data cable.
 - Replace and secure IP-rated protective covers to all power, data, USB, or other ports when not in use.
 - Use a safety cable when mounting this product overhead.
 - Connect this product to a grounded and protected circuit.
- **DO NOT:**
 - Open this product. It contains no user-serviceable parts.
 - Look at the light source when the product is on.
 - Leave any flammable material within 1 m of this product while operating or connected to power.
 - Connect this product to a dimmer or rheostat.
 - Operate this product if the housing, lenses, or cables appear damaged.
 - Submerge this product (adhere to standards for the published IP rating). Regular outdoor operation is fine.
 - Permanently install outdoors in locations with extreme environmental conditions. This includes, but is not limited to:
 - Exposure to a marine/saline environment (within 3 miles of a saltwater body of water).
 - Locations where normal temperatures exceed the temperature ranges in this manual.
 - Locations that are prone to flooding or being buried in snow.
 - Other areas where the product will be subject to extreme radiation or caustic substances.
 - ONLY use the hanging/mounting bracket to carry this product.
 - The maximum ambient temperature is 113 °F (45 °C). Do not operate this product at higher temperatures.
 - The minimum startup temperature is -4°F (-20°C). Do not start the product at lower temperatures.
 - The minimum ambient temperature is -22°F (-30°C). Do not operate the product at lower temperatures.
 - To eliminate unnecessary wear and improve its lifespan, during periods of non-use completely disconnect the product from power via breaker or by unplugging it.
 - In the event of a serious operating problem, stop using immediately.



If this Chauvet product requires service, contact Chauvet Technical Support.

FCC Statement of Compliance

This device complies with Part 15 Part B of the FCC rules. Operation is subject to the following two conditions:

1. This device may not cause harmful interference, and
2. This device must accept any interference received, including interference that may cause undesired operation.

This equipment has been tested and found to comply with the limits for a Class B digital device, pursuant to Part 15 of the FCC Rules. These limits are designed to provide reasonable protection against harmful interference in a residential installation. This equipment generates uses and can radiate radio frequency energy and, if not installed and used in accordance with the instructions, may cause harmful interference to radio communications. However, there is no guarantee that interference will not occur in a particular installation. If this equipment does cause harmful interference to radio or television reception, which can be determined by turning the equipment off and on, the user is encouraged to try to correct the interference by one or more of the following measures:

- Reorient or relocate the receiving antenna.
- Increase the separation between the equipment and receiver.
- Connect the equipment into an outlet on a circuit different from that to which the receiver is connected.
- Consult the dealer or an experienced radio/TV technician for help.

Any changes or modifications not expressly approved by the party responsible for compliance could void the user's authority to operate the equipment.

RF Exposure Warning for North America and Australia

Warning! This equipment complies with FCC radiation exposure limits set forth for an uncontrolled environment. This equipment should be installed and operated with a minimum distance of 20 cm between the radiator and the user. This transmitter must not be co-located or operating in conjunction with any other antenna or transmitter.

Expected LED Lifespan

Over time, use and heat will gradually reduce LED brightness. Clustered LEDs produce more heat than single LEDs, contributing to shorter lifespans if always used at full intensity. The average LED lifespan is 40,000 to 50,000 hours. To extend LED lifespan, maintain proper ventilation around the product, and limit the overall intensity.

2. Introduction

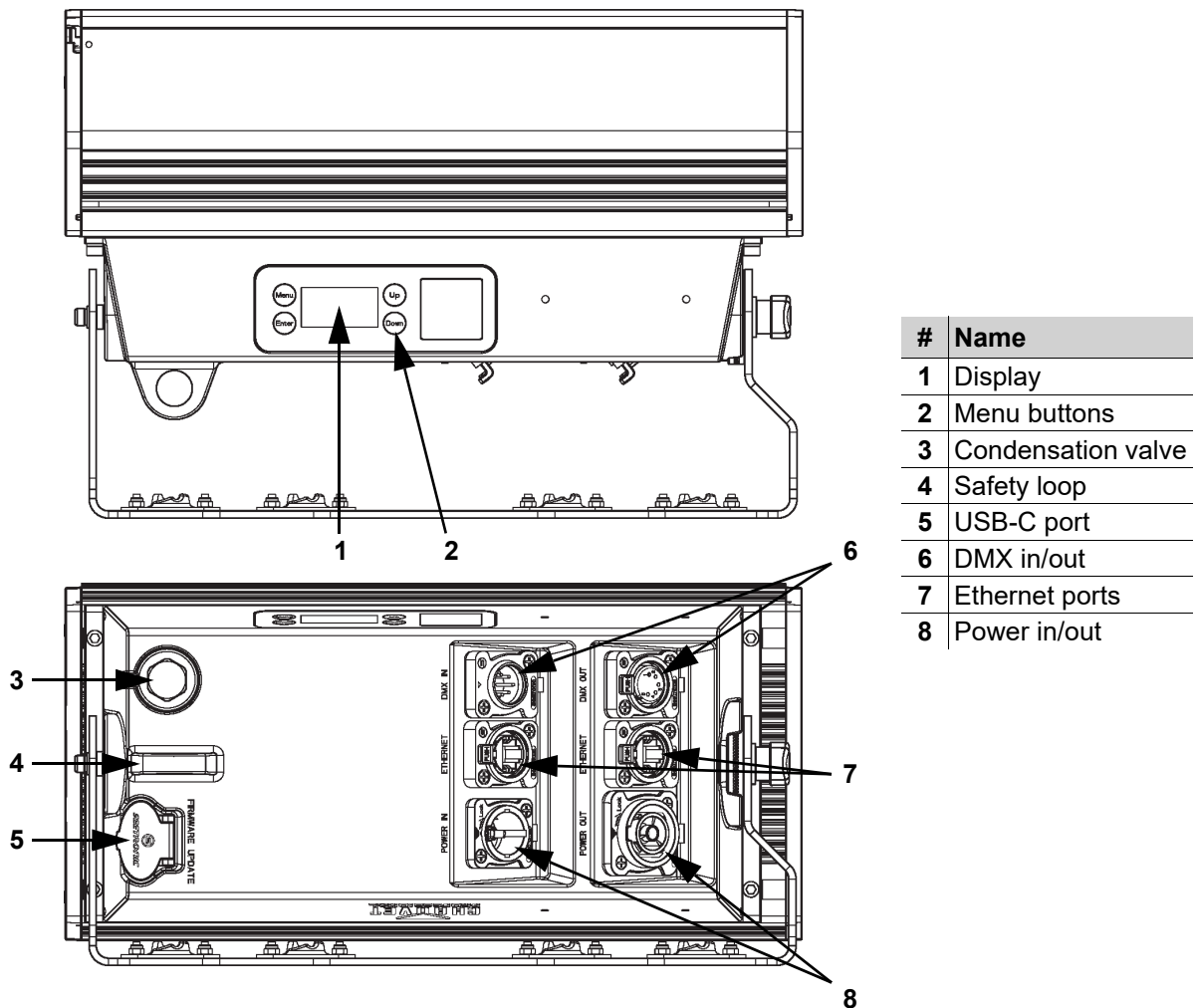
Description

The COLORado Solo Bar 1 is a 4-cell, IP65-rated, RGBWwL LED batten. Producing a full range of color and flexible whites with RGB, RGBWw, and full RGBWwL control, the COLORado Solo Bar 1 combines homogenized squares for end-to-end direct-view pixel-mapped looks. Performs equally well as a cyc, footlight, or down light with High output and long throw. The lighter weight IP65 design provides durability at home both on the road and in permanent installations. A selection of beam shaping filters is included for a choice of projection effects. Bring new versatility to touring, festivals, and both televised and theatrical productions with improved and simplified rigging options, virtually silent operation, and flawless performance live or on camera. Control via DMX, Art-Net™ or sACN.

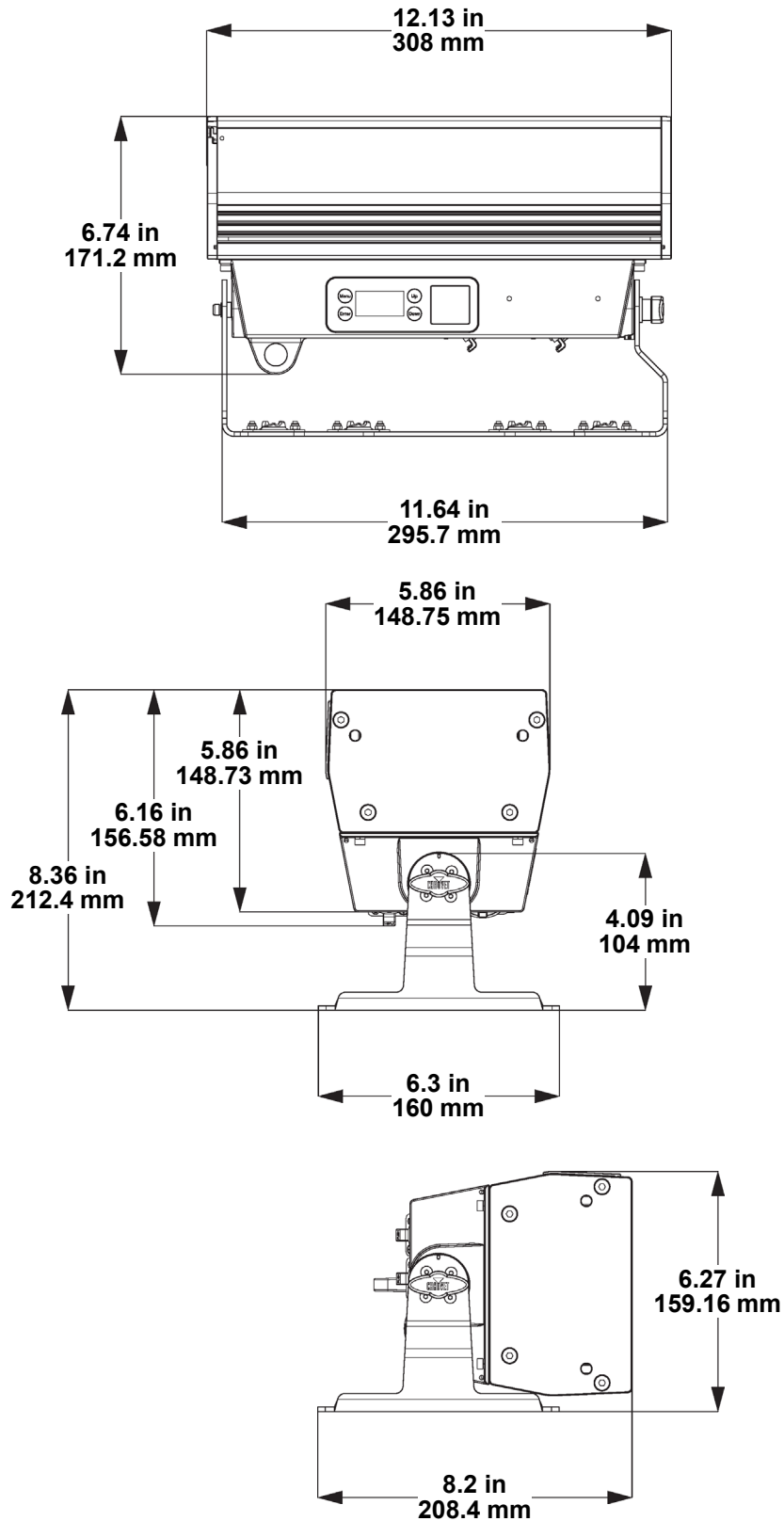
Features

- Full-spectrum LED batten suited equally for rental/production, broadcast, film, and special events
- IP65 rating for all weather use and protection from dust/fog/haze indoors or out
- Linear color temperature presets from 2800 K to 8000 K with high TM-30, CRI and CQS
- Perfectly blended and even color from edge to edge of the cell, no “circle in a square” look
- +/- Green adjustment and emulated red-shift via DMX or on-board control
- Multiple control methods from on-board DMX, RDM, CRMX, Art-Net and sACN
- Virtually silent operation for use in studio applications
- Guide pins for easy end-to-end alignment
- Slide-in slot for various included and accessory filters as well as an on-board stowable glare shield
- Ultra-smooth 18-bit dimming curves and speeds to complement any lighting scheme

Product Overview



Product Dimensions



3. Setup

AC Power

The COLORado Solo Bar 1 has an auto-ranging power supply and it can work with an input voltage range of 100 to 240 VAC, 50/60 Hz.

To determine the product's power requirements (circuit breaker, power outlet, and wiring), use the current value listed on the label affixed to the product's back panel, or refer to the product's specifications chart. The listed current rating indicates the product's average current draw under normal conditions.



- **Always connect the product to a protected circuit (a circuit breaker or fuse). Ensure the product has an appropriate electrical ground to avoid the risk of electrocution or fire.**
- **To eliminate unnecessary wear and improve its lifespan, during periods of non-use completely disconnect the product from power via breaker or by unplugging it.**



Never connect the product to a rheostat (variable resistor) or dimmer circuit, even if the rheostat or dimmer channel serves only as a 0 to 100% switch.

AC Plug

The COLORado Solo Bar 1 comes with a power input cable terminated with a Seetronic Powerkon A connector on one end and an Edison plug on the other end (U.S. market). If the power cable which came with the product has no plug, or if it is necessary to change the plug, use the table below to wire a plug.

Connection	Wire (U.S.)	Wire (Europe)	Screw Color
AC Live	Black	Brown	Yellow or Brass
AC Neutral	White	Blue	Silver
AC Ground	Green/Yellow	Green/Yellow	Green

Power Linking

It is possible to power link COLORado Solo Bar 1 products. See the table below for the current draw at each voltage and frequency:

	100 V, 60 Hz	120 V, 60 Hz	208 V, 60 Hz	230 V, 50 Hz	240 V, 50 Hz
Current Draw	1.12 A	0.93 A	0.59 A	0.48 A	0.46 A

Never exceed 12 A on a single circuit. Power-linking cables can be purchased separately.

Signal Connections

The COLORado Solo Bar 1 can receive a DMX, CRMX™, Art-Net™, or sACN signal. The product has 2 Seetronic Etherkon through ports and 5-pin DMX in and out ports. If using other compatible products with this product, it is possible to control each individually with a single controller.

Control Personalities

The COLORado Solo Bar 1 uses a 5-pin DMX data connection, wireless Lumenradio CRMX™, Art-Net™, or sACN for its 36 control personalities, ranging from 3 to 67 channels in 1-, 2-, and 4-cell modes.

- Refer to the [Operation](#) chapter to learn how to configure the COLORado Solo Bar 1 to work in these personalities.
- The [DMX Channel Assignments and Values](#) section provides detailed information regarding the control personalities.



For more information about DMX standards or the DMX cables needed to link this product to a DMX controller, download the DMX Primer from the Chauvet website:
www.chauvetprofessional.com.

DMX Linking

It is possible to link the COLORado Solo Bar 1 to a DMX controller using a 5-pin DMX connection or Lumenradio CRMX™. For more information about DMX, read the DMX primer at: https://www.chauvetprofessional.com/wp-content/uploads/2016/06/DMX_Primer.pdf.

Remote Device Management

Remote Device Management, or RDM, is a standard for allowing DMX-enabled devices to communicate bi-directionally along existing DMX cabling. Check the DMX controller's User Manual or with the manufacturer as not all DMX controllers have this capability. The COLORado Solo Bar 1 supports RDM protocol that allows feedback to make changes to menu map options.

Master/Slave Connectivity

The Master/Slave mode allows an COLORado Solo Bar 1 (the master) to control one or more COLORado Solo Bar 1 products (the slaves) without a DMX controller. One COLORado Solo Bar 1 becomes the master when running an auto program or in Static mode.

Each slave's control panel must be configured to operate in Slave mode. During Master/Slave operation, the slaves will operate in unison with the master.



DO NOT connect a DMX controller to products operating in Master/Slave mode. The DMX controller signals may interfere with the signals from the master.



- The [Operation](#) section of this manual provides detailed instructions on how to configure the master and slaves.
- For more information about DMX standards or the DMX cables needed to link this product to a DMX controller, download the DMX primer from the Chauvet website: www.chauvetprofessional.com.

Art-Net™ Connection

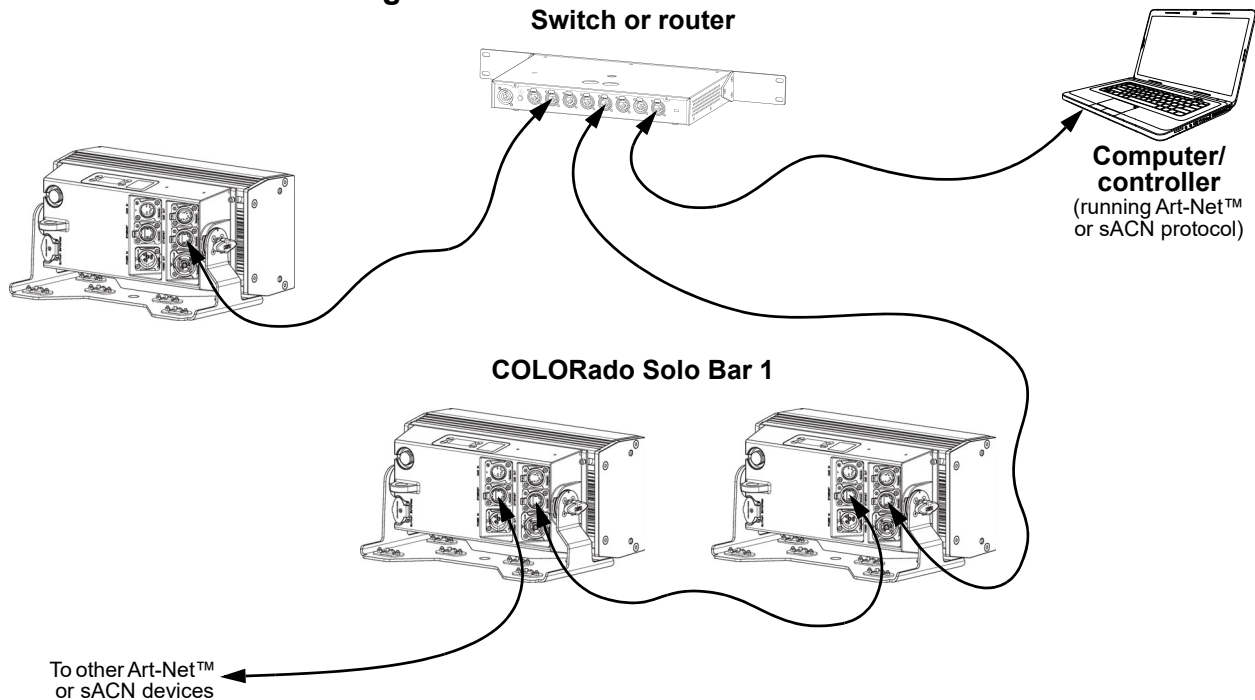
Art-Net™ is an Ethernet protocol that uses TCP/IP which transfers a large amount of DMX512 data using an ethernet connection over a large network. An Art-Net™ protocol document is available from www.chauvetprofessional.com.

Art-Net™ designed by and copyright Artistic Licence Holdings Ltd.

sACN Connection

Also known as ANSI E1.31, streaming ACN is an Ethernet protocol that uses the layering and formatting of Architecture for Control Networks to transport DMX512 data over IP or any other ACN compatible network.

Ethernet Connection Diagram



Setup

Lumenradio CRMX™ Connection

In optimal conditions, the COLORado Solo Bar 1 can operate up to 300 m (900 ft) away from the CRMX™ transmitter. The CRMX™ receiver in the COLORado Solo Bar 1 must be paired with the CRMX™ transmitter for wireless operation.

Initial Setup

1. Turn the CRMX™ transmitter on.
2. Connect the CRMX™ transmitter to a DMX controller.
3. Place the COLORado Solo Bar 1 within 300 m from the CRMX™ transmitter.
4. Turn the COLORado Solo Bar 1 on.

Configuration

1. From the COLORado Solo Bar 1's control panel, go to **DMX Address**.
2. Select the start address, as with any other DMX compatible product.
3. Go to **Wireless Setting > Receive Off/On**.
4. Select **On**. (The Signal Strength Indicator will show a ? in front of the bars)
5. Press the reset button on the CRMX™ transmitter. (The Signal Strength Indicator on the COLORado Solo Bar 1 will show a 4 in front of the bars for 3 seconds while a connection is established.)

Product Pairing

If the COLORado Solo Bar 1 has already been paired with the CRMX™ transmitter, the Signal Strength Indicator on top of the display will show the strength of the signal. In this case, the COLORado Solo Bar 1 is ready to work in Wireless mode.

Pairing the COLORado Solo Bar 1 and a New CRMX™ Transmitter

1. From the COLORado Solo Bar 1 control panel, go to **Wireless Setting > Receive Reset**.
2. Select **Yes**.
3. From the CRMX™ transmitter, press **<RESET>**. The signal indicator on the transmitter will flash.
4. Once the transmitter has found the COLORado Solo Bar 1, the signal indicator on the CRMX™ transmitter will illuminate solid.
5. The display screen on the COLORado Solo Bar 1 will show the strength of the signal.



CRMX™ operation can be interrupted or inhibited by people or liquid masses, including water or snow, between the transmitter and receiver. For best results, keep the area between the transmitter and receiver clear of any liquid masses.

USB Software Update

The COLORado Solo Bar 1 allows for a software update through USB using the built-in USB port. To update the software using a USB flash drive, do the following:

1. Power on the product and plug the flash drive into the USB port.
2. Once the flash drive has been detected, the message “**Update Firmware**” will be displayed. Press **<ENTER>**.
 - If a different message appears on the display, search for the updated software in the menu (**Update Firmware** in the **Info & Updating** menu) and select from **Only This Fixture**, **Multiple Fixture**, **Other Fixture Type**, or **Fixture to Fixture**. A list of the software update files will be displayed.



The “**Other Fixture Type**” option under **Update Firmware** can only be selected for connected products compatible with the **Upload 03** (the first 2 digits of the item code must be 03).

- See [Fixture To Fixture Software Update](#) for the **Fixture to Fixture** software update process.
3. Select the file that needs to be uploaded. The message “**Are you sure?**” will be displayed. Press **<ENTER>**.



If the selected file is incorrect, the upgrade will fail, and the display will go back to the main interface. Repeat steps 1-3 using the correct file.

4. If the selected file is correct, the update will start. DO NOT turn off power or disconnect the USB during the process. The USB update can take several minutes to complete.
5. When the update is complete, the product will automatically reboot.
6. Go to the **Information** level of the **Info & Updating** menu and confirm the software update.
7. When the boot-up process is finished, restart the product.



- Place the **.chl** file in the root directory of the USB drive.
- The product’s USB port supports up to 32GB capacity and only works with FAT32 file format.



Turning off the power, removing the DMX cable, or not setting the fixture to the correct protocol during the update can cause partial or total software failure in the targeted fixture. The user will need an Upload 03 device to fix the software failure issues. Please contact Chauvet customer service for this device.

Fixture To Fixture Software Update

The COLORado Solo Bar 1 allows for a software update through a DMX cable from one COLORado Solo Bar 1 to another. To update the software using a DMX cable connection, follow the instructions below:

1. Power on the products.
2. Connect the DMX out of the COLORado Solo Bar 1 with the latest software to the DMX in of the COLORado Solo Bar 1 that needs to be updated.
3. Go to the **Update Firmware** level of the receiving product’s menu.
4. Select the **Fixture To Fixture** option.
5. A warning “**make sure no other signal, Network or DMX controller is being sent! and press enter key to start update**” will show on the display. Press **<ENTER>** to start the update.



- DO NOT turn off the power or disconnect the DMX cable during the process. The update can take several minutes to complete.
- If the connected product is incorrect or has the incorrect software, the upgrade will fail, and the display will go back to the main interface. Repeat steps 1-5 using a COLORado Solo Bar 1 with valid software.

6. If the connected product is valid, the update will start. DO NOT turn off power or disconnect the DMX cable during the process. The update can take several minutes to complete.
7. When the update is complete, the product will automatically reboot.
8. Go to the **Information** level of the **Info & Updating** menu and confirm the software update.



- When updating software using **Fixture To Fixture**, make sure no other DMX signals or Ethernet signals are connected to the products.
- Turning off the power, removing the DMX cable, or not setting the fixture to the correct protocol during the update can cause partial or total software failure in the targeted fixture. The user will need an Upload 03 device to fix the software failure issues. Please contact Chauvet customer service for this device.

Force Upload

A Force Upload is done whenever a software update fails due to accidental removal of the USB flash drive, incorrect control protocol, or loss of power during a regular software update process.



- **A Force Upload process requires a target fixture (the fixture that needs a Force Upload) and a main fixture (the fixture that controls the upload process).**
- **The Force Upload process can only be done one target fixture at a time.**

To do a Force Upload, follow the instructions below:

1. Link the target fixture to the main fixture via a DMX 5-pin connection. Ensure that the target fixture is turned off.
2. Turn on the main fixture and set its protocol to **DMX512**.
3. Plug the flash drive into the USB-C port of the main fixture.
4. Go to the **Information** level of the **Info & Updating** menu.
5. Choose between **Multiple Fixture** and **Other Fixture Type**. Press **<ENTER>**.
 - **Multiple Fixture:** Both the target fixture and main fixture are from the same product line (e.g., 2 COLORado Solo Bar 1 fixtures).
 - **Other Fixture Type:** The target fixture and main fixture are from different product series (e.g., a COLORado Solo Bar 1 as the target fixture and a Maverick Silens 2 Profile as the main fixture).
6. Select the file that needs to be uploaded. The message “**Are you sure?**” will appear on the screen. Press **<ENTER>**. Turn on the target fixture within 1–2 seconds of pressing **<ENTER>**. The display on the target fixture should remain off.
 - a. The main fixture will show the update progress (0–100%).
 - b. The target fixture’s display will turn on, and a notification “**<UPDATE>**” will appear on the screen.



The timing of when the target fixture’s display will turn on varies from fixture to fixture.

7. **DO NOT** turn off power or remove the USB flash drive. Once the software is done uploading, the target fixture will automatically reboot.
8. Go to the target fixture’s menu and confirm that the firmware version has been updated.
9. Reboot the target fixture.

Mounting

Before mounting the product, read and follow the safety recommendations indicated in the [Safety Notes](#).

Orientation

Always mount this product in a safe position, making sure there is adequate room for ventilation, configuration, and maintenance.

Rigging

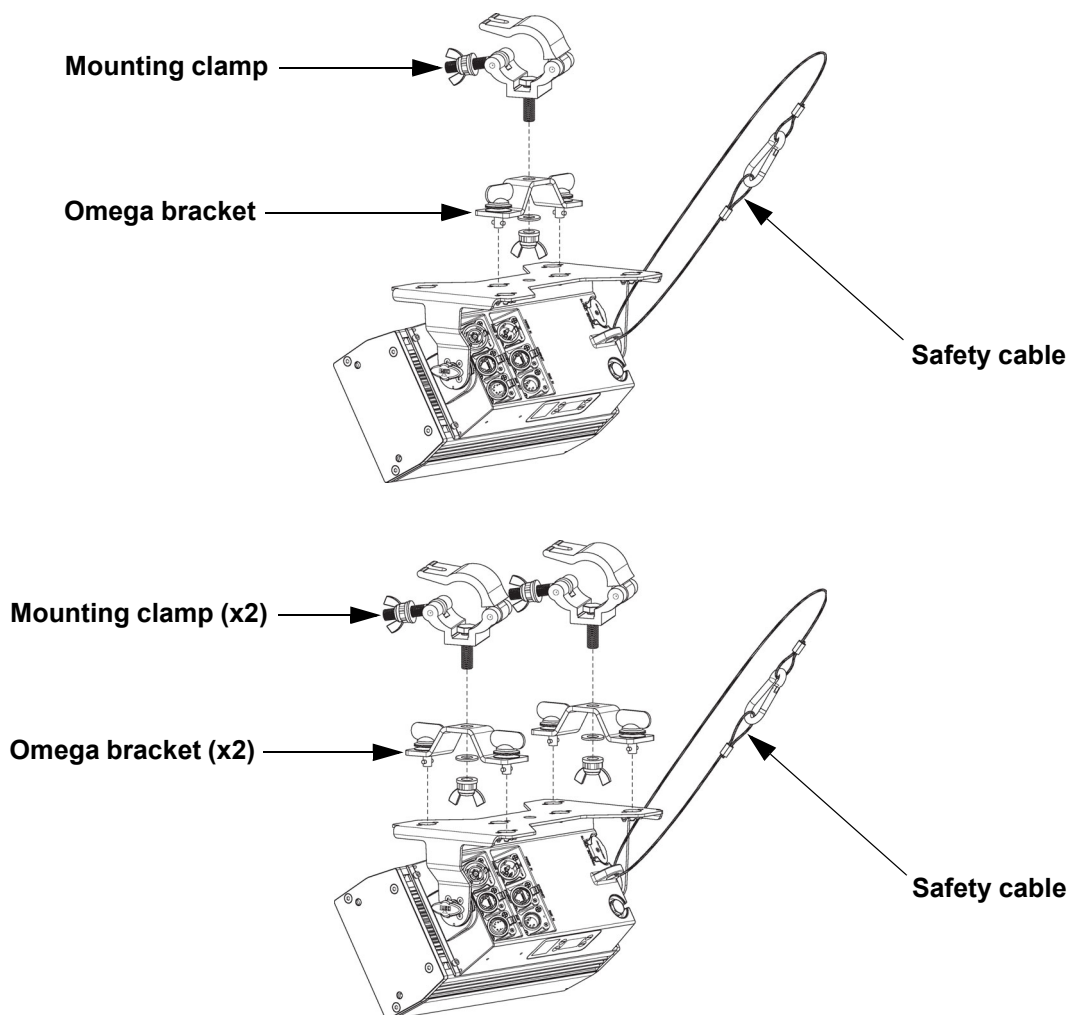
Chauvet recommends using the following general guidelines when mounting this product.

- Before deciding on a location for the product, make sure there is easy access to the product for maintenance and programming purposes.
- Make sure that the structure and attachment points can support the weight before hanging the product (see the [Technical Specifications](#) for weight information).
- When mounting the product overhead, always use a safety cable. Mount the product securely to a rigging point, whether an elevated platform or a truss.
- When rigging the product onto a truss, use a mounting clamp of appropriate weight capacity.

Procedure

The COLORado Solo Bar 1 comes with Omega brackets. The user can directly attach a mounting clamp to these Omega brackets. Make sure the clamp is capable of supporting the weight of this product. For the Chauvet Professional line of mounting clamps, go to <http://www.trusst.com/products>.

Mounting Diagram

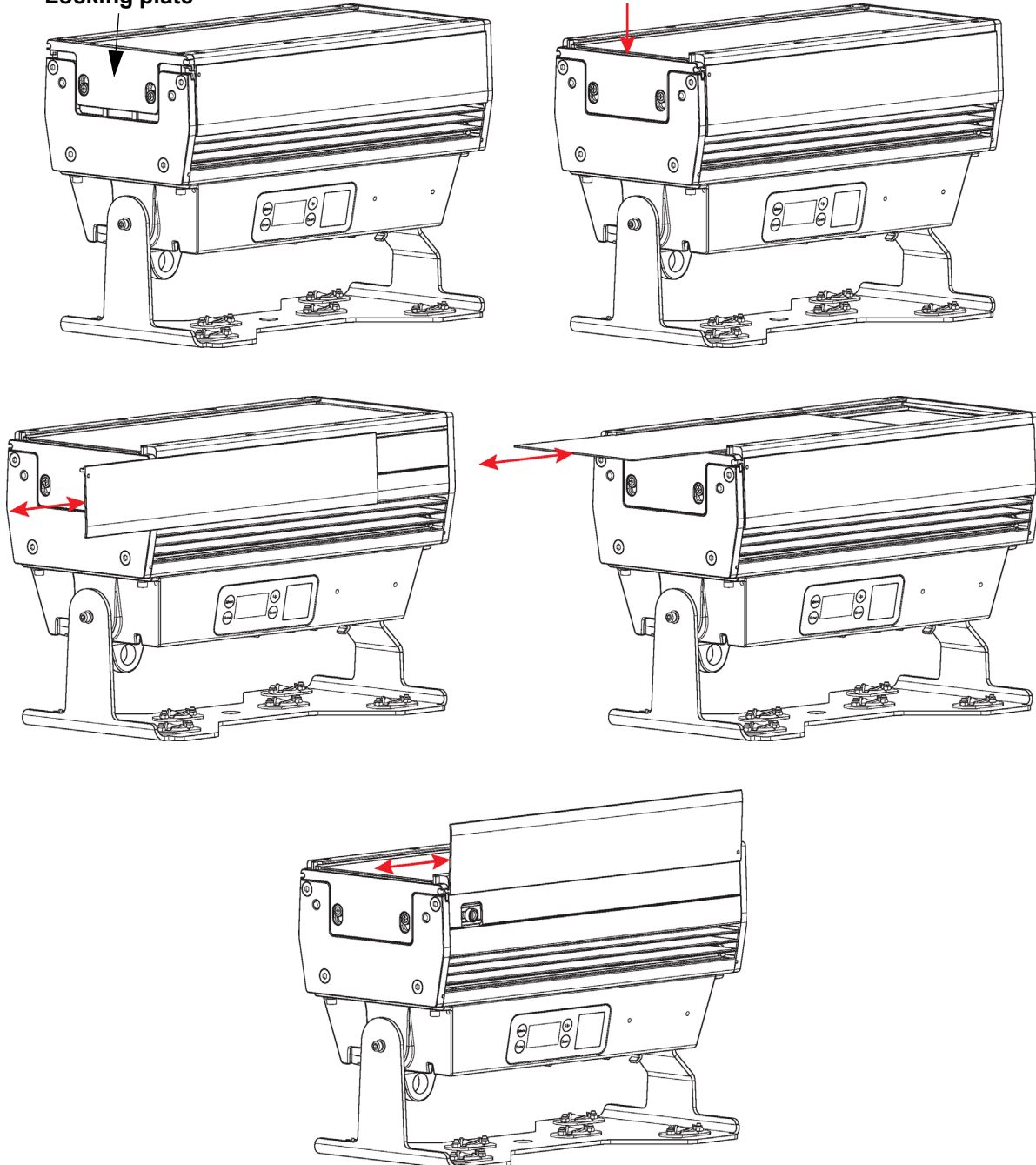


Glare Shield and Filters

The COLORado Solo Bar 1 comes with a glare shield, which can be stored or installed in a slot on the side of the product, and 4 filters including the clear protective filter which comes installed. The product keeps the glare shield and filter in place with a spring-loaded locking plate. To access the filter and glare shield slots:

1. Press and hold down the locking plate.
2. Slide the glare shield or filter out.
3. Slide the desired filter in, turn the glare shield to the desired orientation and slide it back in, or set the glare shield aside.
4. Release the locking plate.

Locking plate



Guide Pins

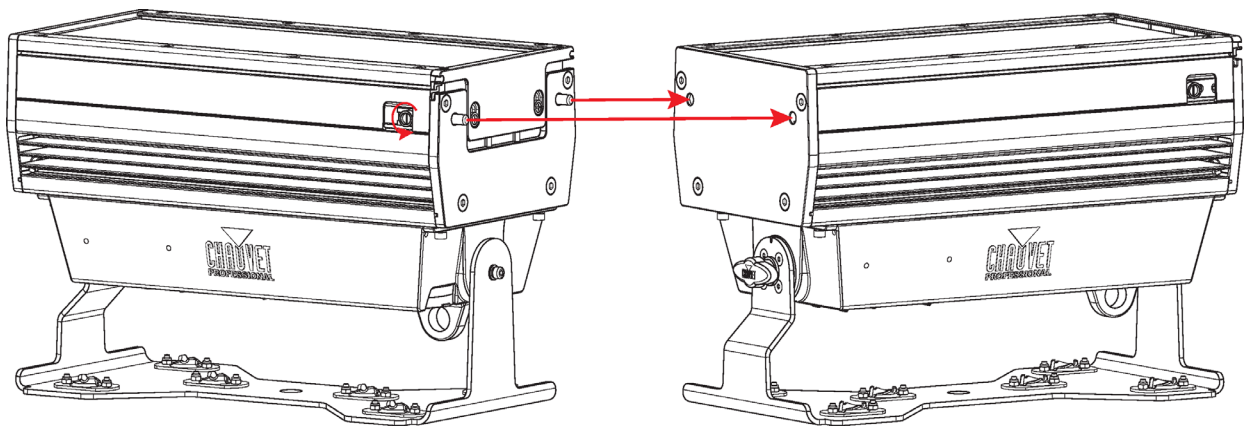
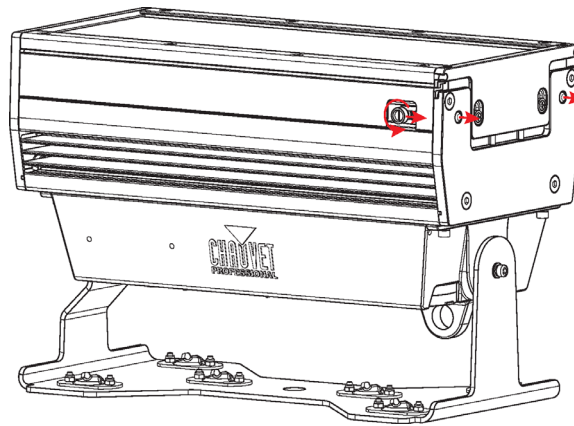
The COLORado Solo Bar 1 has 2 guide pins which can assist in keeping linearly mounted products together in a straight line. To access and use the guide pins:

1. Install the glare shield upright or remove it from the product, as shown in [Glare Shield and Filters](#).
2. Loosen the guide pin locking screws on either side of the product with a flat-head screwdriver.



Only loosen the locking screws enough to allow movement of the pins.

3. Slide the locking screws so that the guide pins emerge from the product.
4. Tighten the guide pin locking screws until secure in place.
5. Insert the guide pins into the guide holes of another COLORado Solo Bar product during the mounting process.



4. Operation

Control Panel Description

Button	Function
<MENU>	Exits from the current menu or function
<ENTER>	Enables the currently displayed menu or sets the currently selected value into the selected function
<UP>	Navigates upwards through the menu list or increases the numeric value when in a function
<DOWN>	Navigates downwards through the menu list or decreases the numeric value when in a function

Programming

Refer to the Menu Map to understand the menu options. The menu map shows the main level and a variable number of programming levels for each option.

- To go to the desired main level, press <MENU> repeatedly until the option shows on the display. Press <ENTER> to select. This will enter the first programming level for that option.
- To select an option or value within the current programming level, press <UP> or <DOWN> until the option shows on the display. Press <ENTER> to select. In this case, if there is another programming level, that first option or the selected value will show on the display.
- Press <MENU> repeatedly to exit to the previous main level.

Passcode

After being prompted to enter the passcode, press <UP>, <DOWN>, <UP>, <DOWN>, <ENTER>.

Menu Map

Refer to the COLORado Solo Bar 1 product page on www.chauvetprofessional.com for the latest menu map and software.

Main Menu	Programming Levels		Description
Protocol	DMX512		Sets the control protocol
	Artnet		
	sACN		
DMX Address	Address	001–510*	Selects DMX address (*Highest channel restricted by personality)
DMX Channel	1 Cell	CCT 4ch	1-cell, 4-channel: dimmer, color temperature, tint, control
		HSV 4ch	1-cell, 4-channel: hue, sat., value, control
		RGB 3ch	1-cell, 3-channel: RGB
		RGBW 4ch	1-cell, 4-channel: RGBW
		RGBWL 5ch	1-cell, 5-channel: RGBW
		RGBWL 16-bit 10ch	1-cell, 10-channel: 16-bit RGBWL
		RGB Ext. 10ch	1-cell, 10-channel: dimmer, RGB, color temperature, tint, blend, strobe, virtual color wheel, control
		RGBW Ext. 11ch	1-cell, 11-channel: dimmer, RGBW, color temperature, tint, blend, strobe, virtual color wheel, control
		RGBWL Ext. 12ch	1-cell, 12-channel: dimmer, RGBWL, color temperature, tint, blend, strobe, virtual color wheel, control
		RGBWL Full 19ch	1-cell, 19-channel: 16-bit dimmer, 16-bit RGBWL, 16-bit color temperature, tint, blend, strobe, virtual color wheel, control
		XY 4ch	1-cell, 4-channel: dimmer, XY, control
		XY Ext. 9ch	1-cell, 9-channel: dimmer, 16-bit XY, strobe, virtual color wheel, control

Main Menu	Programming Levels		Description	
DMX Channel (cont.)	2 Cell	CCT 7ch	2-cell, 7-channel: dimmer, color temperature, tint, control	
		HSV 7ch	2-cell, 7-channel: hue, sat., value, control	
		RGB 6ch	2-cell, 6-channel: RGB	
		RGBW 8ch	2-cell, 8-channel: RGBW	
		RGBWL 10ch	2-cell, 10-channel: RGBWL	
		RGBWL 16-bit 20ch	2-cell, 20-channel: 16-bit RGBWL	
		RGB Ext. 17ch	2-cell, 17-channel: dimmer, RGB, color temperature, tint, blend, master strobe, master virtual color wheel, control	
		RGBW Ext. 19ch	2-cell, 19-channel: dimmer, RGBW, color temperature, tint, blend, master strobe, master virtual color wheel, control	
		RGBWL Ext. 21ch	2-cell, 21-channel: dimmer, RGBWL, color temperature, tint, blend, master strobe, master virtual color wheel, control	
	RGBWL Full 35ch	2-cell, 35-channel: 16-bit dimmer, 16-bit RGBWL, 16-bit color temperature, tint, blend, master strobe, master virtual color wheel, control		
	XY 7ch	2-cell, 7-channel: dimmer, XY, control		
	XY Ext. 17ch	2-cell, 17-channel: dimmer, 16-bit XY, strobe, virtual color wheel, control		
	4 Cell	CCT 13ch	4-cell, 13-channel: dimmer, color temperature, tint, control	
		HSV 13ch	4-cell, 13-channel: hue, sat., value, control	
		RGB 12ch	4-cell, 12-channel: RGB	
		RGBW 16ch	4-cell, 16-channel: RGBW	
		RGBWL 20ch	4-cell, 20-channel: RGBWL	
		RGBWL 16-bit 40ch	4-cell, 40-channel: 16-bit RGBWL	
		RGB Ext. 31ch	4-cell, 31-channel: dimmer, RGB, color temperature, tint, blend, master strobe, master virtual color wheel, control	
RGBW Ext. 35ch		4-cell, 35-channel: dimmer, RGBW, color temperature, tint, blend, master strobe, master virtual color wheel, control		
RGBWL Ext. 39ch		4-cell, 39-channel: dimmer, RGBWL, color temperature, tint, blend, master strobe, master virtual color wheel, control		
RGBWL Full 67ch	4-cell, 67-channel: 16-bit dimmer, 16-bit RGBWL, 16-bit color temperature, tint, blend, master strobe, master virtual color wheel, control			
XY 13ch	4-cell, 13-channel: dimmer, XY, control			
XY Ext. 33ch	4-cell, 33-channel: dimmer, 16-bit XY, strobe, virtual color wheel, control			
Static	Fixed Colors	Red	Dimmer <000–255>	Red
		Green		Green
		Blue		Blue
		Warm White		White
		Lime		Lime
		RB		Red and blue
		GB		Green and blue

Main Menu	Programming Levels		Description	
Static (cont.)	Fixed Colors (cont.)	RG	Dimmer <000–255>	Red and green
		RGB		Red, green, and blue
		RGBWw		Red, green, blue, and white
		RGBL		Red, green, blue, and lime
		RGBWwL		Red, green, blue, white, and lime
	Manual Color Mixer	Red	<000–255>	Combines red, green, blue, warm white, and lime to make a custom color (0–100%)
		Green		
		Blue		
		Warm White		
		Lime		
	Color Temperature	2800K	Dimmer <000–255>	Preset white color temperatures. Emulates a tungsten lamp at the specified color temperature. Refer to the Color Temperature Chart for specific values.
		3000K		
		3200K		
		3500K		
		4000K		
		4500K		
		5000K		
		5600K		
		6000K		
		6500K		
		7000K		
	7500K			
	8000K			
	Auto Show	Auto 1–6	<001–100>	Selects automatic programs and auto program speed
	Virtual Color Wheel	C3050 - Md Yellow	Dimmer <000–255>	Virtual Color Wheel simulates the output of each gel color. Refer to the Virtual Color Wheel Chart for specific values.
		C3040 - Lt Yellow		
		C3240 - Amb Yellow		
C2340 - VLt Amber				
C2040 - Lt Amber				
C2050 - Md Amber				
C2060 - Dk Amber				
C1050 - Lt Red				
C1080 - Md Red				
C1020 - NC Pink				
C1030 - Md Pink				
C1630 - Dk Pink				
C1250 - Md Red Amber				
C1060 - Dk Red Amber				
C1650 - Magenta				
C6170 - Dk Magenta				
C6020 - Lt Lavender				
C5030 - Lt Blue				
C5020 - VLt Blue				
C5430 - Lt Blue 2				
C5070 - Blue				
C5050 - Md Blue				

Main Menu	Programming Levels		Description		
Static (cont.)	Virtual Color Wheel (cont.)	C5060 - Dk Blue	Dimmer <000–255>	Virtual Color Wheel simulates the output of each gel color. Refer to the Virtual Color Wheel Chart for specific values.	
		C5690 - Indigo			
		C5080 - VDk Blue			
		C5081 - VDk Blue 2			
		C4370 - Yel Green			
		C4070 - Green			
		C4550 - Turquoise			
		C4560 - Aqua			
	C4570 - Blue Green				
	Color X-Fade Speed	Off			Disables fade transition between colors
X-Fade Speed 1		Enables fade transition between colors in the Virtual Color Wheel menu, from fast (X-Fade Speed 1) to slow (X-Fade Speed 4)			
X-Fade Speed 2					
X-Fade Speed 3					
X-Fade Speed 4					
Master/Slave	Master		Standalone mode		
	Slave		Slave mode		
Test Modes	Auto Test	<Test>		Automatically test output	
	Manual Test	Dimmer	<000–255>	Test dimmer control	
		Red		Test red output	
		Green		Test green output	
		Blue		Test blue output	
		Warm White		Test white output	
		Lime		Test lime output	
Wireless Setting	Receive Off/On	Off	Enables/disables CRMX™		
		On			
	Receive Reset	No	Resets wireless receiver		
		Yes			
Wireless To DMX	No	Enables/disables wireless to DMX			
	Yes				
Ethernet Setting	IP Mode	Manual	Manually set IP address		
		DHCP	Network sets IP address		
		Static	Product sets IP address		
	Universe	000–255 (Art-net™)	Sets the Art-Net™ or sACN universe		
		001–256 (sACN)			
	Start Channel	001–512	Sets the starting channel		
	IP Address	-----	Sets each IP address digit from 000–255		
Ethernet To DMX	<No >	Enables/disables Ethernet to DMX			
	<Yes>				
Other Settings	Cell Order	1 > 4	Sets the cell order		
		4 > 1			
	Color Calibration	Off		Color calibration off	
		User Calibration	Red	<125–255>	Sets maximum red LED value
			Green		Sets maximum green LED value
			Blue		Sets maximum blue LED value
			Warm White		Sets maximum white LED value
			Lime		Sets maximum lime LED value
Factory Calibration		Color calibration set by factory			

Main Menu	Programming Levels		Description
Other Settings (cont.)	Red Shift	On	Enables or disables red shift
		Off	
	Dimmer Curve	S-Curve	Sets the dimmer curve
		Linear	
		Square	
		Inverse Square	
	Dimmer Mode	Off	Instantaneous dimmer
		Dimmer 1–3	Dimmer mode, fast (1) to slow (3)
	Display Back Light	10S	Turns off display backlight after 10 seconds
		30S	Turns off display backlight after 30 seconds
		2Min	Turns off display backlight after 2 minutes
		Always On	Display backlight always on
	Display Invert	Auto	Sets display orientation automatically
		No	Does not invert the display
		Yes	Inverts the display
	LED Frequency	600Hz	Sets the Pulse Width Modulation frequency
1200Hz			
2000Hz			
4000Hz			
6000Hz			
Key Lock	On	Locks display (password: <UP>, <DOWN>, <UP>, <DOWN>, <ENTER>)	
	Off		
Info & Updating	Information	Fixture Hours <_ _ _ _ H>	Shows total hours the product has been on
		LED Hours <_ _ _ _ H>	Shows total hours the LEDs have been on
		Disp Ver <V1.1.3>	Shows current display firmware version
		Drv Ver <V1.1.3>	Shows current driver firmware version
		UID 21A40 _ _ _ _ _	Shows product UID
	Temperature	DISP: _ _ °C	Shows display temperature in °C
		LED1–4: _ _ °C	Shows LED temperatures 1-4 in °C
	Update Firmware	Only This Fixture _ _ _ _ _ .CHL	Selects an update file for this product, or shows “No such file!”
		...	
		Multiple Fixture _ _ _ _ _ .CHL	Selects an update file for this and connected COLORado Solo Bar 1 products, or shows “No such file!”
		...	
	Other Fixture Type _ _ _ _ _ .CHL	Selects an update file for other connected products, or shows “No such file!”	
	...		
	Fixture To Fixture	make sure no other signal, Network or DMX controller is being sent! and press enter key to start update	Downloads update file from another COLORado Solo Bar 1 Driver via DMX.
	Clock Setting	2000–2099/01–12/01–31 / 00–24/01–59/01–59 / Save&ESC	Sets the year, month, day, hour, minute, and second
	Current Time	_ _ _ _ / _ _ / _ _ : _ _ : _ _	Displays the current date and time
Factory Reset	No	Resets the product to factory default settings	
	Yes		



The “Other Fixture Type” option under Upgrade Firmware can only be selected for connected products compatible with the Upload 03 (the first 2 digits of the item code must be 03).

Control Configuration

Use control configurations to operate the product with a DMX, Art-Net™, or sACN controller.

Control Mode

The COLORado Solo Bar 1 works with DMX, Art-Net™, and sACN control signals. To select the protocol:

1. Go to the **Protocol** main level.
2. Select the desired protocol, from **DMX512**, **ArtNet**, or **sACN**.



See the [Ethernet Settings](#) section for further setup of ethernet protocols (Art-Net™ or sACN).

Control Personalities

To set the control personality:

1. Go to the **DMX Channel** main level.
2. Select from **1 Cell**, **2 Cell**, or **4 Cell**.
3. Select the personality from the table below.

1 Cell	2 Cell	4 Cell
CCT 4ch	CCT 7ch	CCT 13ch
HSV 4ch	HSV 7ch	HSV 13ch
RGB 3ch	RGB 6ch	RGB 12ch
RGBW 4ch	RGBW 8ch	RGBW 16ch
RGBWL 5ch	RGBWL 10ch	RGBWL 20ch
RGBWL 16-bit 10ch	RGBWL 16-bit 20ch	RGBWL 16-bit 40ch
RGB Ext. 10ch	RGB Ext. 17ch	RGB Ext. 31ch
RGBW Ext. 11ch	RGBW Ext. 19ch	RGBW Ext. 35ch
RGBWL Ext. 12ch	RGBWL Ext. 21ch	RGBWL Ext. 39ch
RGBWL Full 19ch	RGBWL Full 35ch	RGBWL Full 67ch
XY 4ch	XY 7ch	XY 13ch
XY Ext. 9ch	XY Ext. 17ch	XY Ext. 33ch



- See the [Starting Address](#) section for the highest selectable starting address for each personality.
- Make sure that the starting addresses on the various products do not overlap.

Operation

Starting Address

Each product will respond to a unique starting address from the controller. All products with the same starting address will respond in unison. To set the starting address in DMX mode:

1. Go to the **DMX Address** main level.
2. Select the starting address (**001–510**).

	Personality	Highest Address	Products per Universe
1 Cell	CCT 4ch	509	128
	HSV 4ch	509	128
	RGB 3ch	510	170
	RGBW 4ch	509	128
	RGBWL 5ch	508	102
	RGBWL 16-bit 10ch	503	51
	RGB Ext. 10ch	503	51
	RGBW Ext. 11ch	502	46
	RGBWL Ext. 12ch	501	42
	RGBWL Full 19ch	494	26
	XY 4ch	509	128
XY Ext. 9ch	504	56	
2 Cell	CCT 7ch	506	73
	HSV 7ch	506	73
	RGB 6ch	507	85
	RGBW 8ch	505	64
	RGBWL 10ch	503	51
	RGBWL 16-bit 20ch	493	25
	RGB Ext. 17ch	496	30
	RGBW Ext. 19ch	494	26
	RGBWL Ext. 21ch	492	24
	RGBWL Full 35ch	478	14
	XY 7ch	506	73
XY Ext. 17ch	496	30	
4 Cell	CCT 13ch	500	39
	HSV 13ch	500	39
	RGB 12ch	501	42
	RGBW 16ch	497	32
	RGBWL 20ch	493	25
	RGBWL 16-bit 40ch	473	12
	RGB Ext. 31ch	482	16
	RGBW Ext. 35ch	478	14
	RGBWL Ext. 39ch	474	13
	RGBWL Full 67ch	446	7
	XY 13ch	500	39
XY Ext. 33ch	480	15	

Ethernet Settings

The Ethernet Settings control the universe, start address (Art-Net™ or sACN), IP address, and ethernet conversion functions of the product.

IP Mode

It is possible to set the IP address of the COLORado Solo Bar 1 manually, by the network, or to a preset static address specific to each product. To set the IP mode, follow the instructions below:

1. Go to the **Ethernet Setting** main level.
2. Select the **IP Mode** option.
3. Select the desired IP mode, from **Manual** (set the IP address with the control panel), **DHCP** (the network sets the IP address), or **Static** (a preset address specific to each product).

Universe

To assign an Art-Net™ or sACN universe to the COLORado Solo Bar 1:

1. Go to the **Ethernet Setting** main level.
2. Select the **Universe** option.
3. Set the universe, from **000–255** (for Art-Net™) or from **001–256** (for sACN).

Start Channel

Each product will respond to a unique starting address from the controller. All products with the same starting address will respond in unison. To set the starting address in Art-Net™ or sACN mode:

1. Go to the **Ethernet Setting** main level.
2. Select the **Start Channel** option.
3. Select the starting address (**001–512**)



- See the [Starting Address](#) section for the highest selectable starting address for each personality.
- Make sure that the starting addresses on the various products do not overlap due to the new personality setting.

IP Address

To set the IP address:

1. Go to the **Ethernet Setting** main level.
2. Select the **IP Address** option.
3. Set the first value of the IP address from **000–255**.
4. Press **<ENTER>** to cycle through the 4 values of the IP address.
5. Set the other 3 values from **000–255**.
6. Press **<MENU>** to exit when the IP address is set as desired.

Ethernet to DMX

When Ethernet to DMX is active, the selected universe of the Art-Net™ or sACN signal will be converted to DMX and output through the 5-pin DMX out port.

1. Go to the **Ethernet Setting** main level.
2. Select the **Ethernet To DMX** option.
3. Select from **No** (do not convert) or **Yes** (convert).

Virtual Color Wheel

The COLORado Solo Bar 1 includes a feature called the Virtual Color Wheel (VCW). This feature is available as a standalone control mode and as a control channel in select DMX personalities. More than 30 premixed colors, custom blended by Chauvet engineers, are available to call up for easier programming.

The DMX values used for these colors are provided below. The intensity of the output can be adjusted to more closely replicate industry-standard colors. A chart is available at www.chauvetprofessional.com to compare Chauvet’s premixed colors with popular gel colors. This chart is for comparison purposes only and is not an assertion that Chauvet’s premixed colors match any of the gel colors listed.

Virtual Color Wheel Chart

DMX Value	Display Readout	Red	Green	Blue	White	Lime
000 ⇔ 005	--	--	--	--	--	--
006 ⇔ 013	C3050–Md Yellow	255	255	000	255	000
014 ⇔ 021	C3040–Lt Yellow	255	235	006	255	000
022 ⇔ 028	C3240–Amb Yellow	255	230	000	255	000
029 ⇔ 035	C2340–VLt Amber	255	119	015	255	000
036 ⇔ 043	C2040–Lt Amber	255	060	006	255	039
044 ⇔ 051	C2050–Md Amber	255	102	000	255	000
052 ⇔ 059	C2060–Dk Amber	255	056	000	255	000
060 ⇔ 067	C1050–Lt Red	255	000	001	005	003
068 ⇔ 075	C1080–Md Red	255	000	000	002	000
076 ⇔ 083	C1020–NC Pink	220	010	019	000	255
084 ⇔ 091	C1030–Md Pink	255	000	023	000	176
092 ⇔ 099	C1630–Dk Pink	232	018	023	000	255
100 ⇔ 107	C1250–Md Red Amber	255	000	000	013	018
108 ⇔ 115	C1060–Dk Red Amber	255	000	005	000	008
116 ⇔ 121	C1650–Magenta	255	000	027	000	055
122 ⇔ 130	C6170–Dk Magenta	255	000	064	000	000
131 ⇔ 138	C6020–Lt Lavender	255	190	064	000	255
139 ⇔ 146	C5030–Lt Blue	030	255	099	030	028
147 ⇔ 154	C5020–VLt Blue	038	255	103	044	094
155 ⇔ 162	C5430–Lt Blue2	022	255	075	026	030
163 ⇔ 170	C5070–Blue	015	255	165	000	000
171 ⇔ 178	C5050–Md Blue	055	255	122	000	000
179 ⇔ 186	C5060–Dk Blue	040	255	169	000	000
187 ⇔ 194	C5690–Indigo	040	000	255	006	000
195 ⇔ 202	C5080–VDk Blue	000	230	255	006	000
203 ⇔ 210	C5081–VDk Blue2	000	178	255	010	000
211 ⇔ 218	C4370–Yel Green	006	255	004	010	000
219 ⇔ 226	C4070–Green	039	255	007	012	000
227 ⇔ 234	C4550–Turquoise	090	255	024	000	000
235 ⇔ 242	C4560–Aqua	070	255	028	000	006
243 ⇔ 250	C4570–Blue Green	000	255	026	000	005
251 ⇔ 255	--	--	--	--	--	--



The colors above are simulated renditions of the color output produced compared with other similar incandescent products. Chauvet makes no guarantee of the color output accuracy.

Color Temperature Chart

DMX Value	Temperature	R	G	B	W	L	DMX Value	Temperature	R	G	B	W	L
000 ⇔ 005	No function						161	5000K	026	073	032	255	040
006	2800K	075	009	000	255	078	162 ⇔ 202	5001–5599K					
007 ⇔ 020	2801–2999K						203	5600K	017	081	035	255	013
021	3000K	063	019	003	255	63	204 ⇔ 216	5601–5999K					
022 ⇔ 034	3001–3199K						217	6000K	016	091	040	255	015
035	3200K	053	023	007	255	059	218 ⇔ 223	6001–6499K					
036 ⇔ 055	3201–3499K						224	6500K	014	095	045	255	017
056	3500K	046	033	011	255	059	225 ⇔ 230	6501–6999K					
057 ⇔ 090	3501–3999K						231	7000K	012	100	051	255	019
091	4000K	036	046	019	255	050	232 ⇔ 237	7001–7499K					
092 ⇔ 125	4001–4499K						238	7500K	012	108	057	255	021
126	4500K	030	059	026	255	049	239 ⇔ 244	7501–7999K					
127 ⇔ 160	4501–4999K						245 ⇔ 255	8000K	012	116	063	255	024



The color temperatures above are simulated renditions of the color output produced compared with a tungsten lamp at the specified color temperature. Chauvet makes no guarantee of the color output accuracy.

DMX Channel Assignments and Values

Control Chart

Value	Percent/Setting	Value	Percent/Setting
000 ⇔ 009	No function	105 ⇔ 129	No function
010 ⇔ 014	Reset dimmer	130 ⇔ 134	LED frequency 600 Hz
015 ⇔ 024	Reserved for future use	135 ⇔ 139	LED frequency 1200 Hz
025 ⇔ 029	S-curve dimmer	140 ⇔ 144	LED frequency 2000 Hz
030 ⇔ 034	Linear dimmer	145 ⇔ 149	LED frequency 4000 Hz
035 ⇔ 039	Square dimmer	150 ⇔ 154	LED frequency 6000 Hz
040 ⇔ 044	Inverse square dimmer	155 ⇔ 159	LED frequency 25000 Hz
045 ⇔ 059	Dimmer mode off	160 ⇔ 164	Cell order 1 > 4
050 ⇔ 054	Dimmer mode 1 (fast)	165 ⇔ 169	Cell order 4 > 1
055 ⇔ 059	Dimmer mode 2	170 ⇔ 174	Do not invert display
060 ⇔ 064	Dimmer mode 3 (slow)	175 ⇔ 179	Invert display
065 ⇔ 069	X-Fade speed off	180 ⇔ 184	Key lock on
070 ⇔ 074	X-Fade speed 1	185 ⇔ 189	Key lock off
075 ⇔ 079	X-Fade speed 2	190 ⇔ 194	Red shift on
080 ⇔ 084	X-Fade speed 3	195 ⇔ 199	Red shift off
085 ⇔ 089	X-Fade speed 4	200 ⇔ 243	Reserved for future use
090 ⇔ 094	White calibration off	244 ⇔ 249	Dimmer mode override
095 ⇔ 099	User custom white calibration	250 ⇔ 255	Reserved for future use
100 ⇔ 104	Factory white calibration		

Strobe Chart

Value	Percent/Setting	Value	Percent/Setting
000 ⇔ 009	No function	145 ⇔ 149	No function
010 ⇔ 084	Strobe, slow to fast	150 ⇔ 199	Random strobe all, slow to fast
085 ⇔ 094	No function	200 ⇔ 204	No function
095 ⇔ 144	Lightning effect, slow to fast	205 ⇔ 255	Random strobe cells, slow to fast

Operation

4 Cell Personalities

XY

XY	Ext.	Function	Value	Percent/Setting
1	1	Dimmer 1	000 ⇔ 255	0–100%
–	2	Fine dimmer 1	000 ⇔ 255	0–100%
2	3	X coordinate 1	000 ⇔ 255	0–100%
–	4	Fine X coordinate 1	000 ⇔ 255	0–100%
3	5	Y coordinate 1	000 ⇔ 255	0–100%
–	6	Fine Y coordinate 1	000 ⇔ 255	0–100%
–	7	Strobe 1	000 ⇔ 255	See the Strobe Chart
–	8	Virtual Color Wheel 1	000 ⇔ 255	See the Virtual Color Wheel Chart
4	9	Dimmer 2	000 ⇔ 255	0–100%
–	10	Fine dimmer 2	000 ⇔ 255	0–100%
5	11	X coordinate 2	000 ⇔ 255	0–100%
–	12	Fine X coordinate 2	000 ⇔ 255	0–100%
6	13	Y coordinate 2	000 ⇔ 255	0–100%
–	14	Fine Y coordinate 2	000 ⇔ 255	0–100%
–	15	Strobe 2	000 ⇔ 255	See the Strobe Chart
–	16	Virtual Color Wheel 2	000 ⇔ 255	See the Virtual Color Wheel Chart
7	17	Dimmer 3	000 ⇔ 255	0–100%
–	18	Fine dimmer 3	000 ⇔ 255	0–100%
8	19	X coordinate 3	000 ⇔ 255	0–100%
–	20	Fine X coordinate 3	000 ⇔ 255	0–100%
9	21	Y coordinate 3	000 ⇔ 255	0–100%
–	22	Fine Y coordinate 3	000 ⇔ 255	0–100%
–	23	Strobe 3	000 ⇔ 255	See the Strobe Chart
–	24	Virtual Color Wheel 3	000 ⇔ 255	See the Virtual Color Wheel Chart
10	25	Dimmer 4	000 ⇔ 255	0–100%
–	26	Fine dimmer 4	000 ⇔ 255	0–100%
11	27	X coordinate 4	000 ⇔ 255	0–100%
–	28	Fine X coordinate 4	000 ⇔ 255	0–100%
12	29	Y coordinate 4	000 ⇔ 255	0–100%
–	30	Fine Y coordinate 4	000 ⇔ 255	0–100%
–	31	Strobe 4	000 ⇔ 255	See the Strobe Chart
–	32	Virtual Color Wheel 4	000 ⇔ 255	See the Virtual Color Wheel Chart
13	33	Control	000 ⇔ 255	See the Control Chart

RGB 12ch - RGBWL Full 67ch

67: RGBWL Full 67ch, 39: RGBWL Ext. 39ch, 35: RGBW Ext. 35ch, 31: RGB Ext. 31ch, 40: RGBWL 16-bit 40ch, 20: RGBWL 20ch, 16: RGBW 16ch, 12: RGB 12ch

12	16	20	40	31	35	39	67	Function	Value	Percent/Setting
-	-	-	-	1	1	1	1	Dimmer 1	000 ⇔ 255	0–100%
-	-	-	-	-	-	-	2	Fine dimmer 1	000 ⇔ 255	0–100%
1	1	1	1	2	2	2	3	Red 1	000 ⇔ 255	0–100%
-	-	-	2	-	-	-	4	Fine red 1	000 ⇔ 255	0–100%
2	2	2	3	3	3	3	5	Green 1	000 ⇔ 255	0–100%
-	-	-	4	-	-	-	6	Fine green 1	000 ⇔ 255	0–100%
3	3	3	5	4	4	4	7	Blue 1	000 ⇔ 255	0–100%
-	-	-	6	-	-	-	8	Fine blue 1	000 ⇔ 255	0–100%
-	4	4	7	-	5	5	9	White 1	000 ⇔ 255	0–100%
-	-	-	8	-	-	-	10	Fine white 1	000 ⇔ 255	0–100%
-	-	5	9	-	-	6	11	Lime 1	000 ⇔ 255	0–100%
-	-	-	10	-	-	-	12	Fine lime 1	000 ⇔ 255	0–100%
-	-	-	-	5	6	7	13	Color temperature 1	000 ⇔ 255	See the Color Temperature Chart
-	-	-	-	-	-	-	14	Fine color temp. 1	000 ⇔ 255	Fine CCT adjust
-	-	-	-	6	7	8	15	Tint 1 (Default to 128)	000 ⇔ 255	-25–+25% green
-	-	-	-	7	8	9	16	Blend CCT with RGBWwL mix 1 (Default to 255)	000 001 ⇔ 126 127 ⇔ 128 129 ⇔ 254 255	100% color temperature control 99–51% CCT, 1–49% RGBWwL 50% CCT, 50% RGBWwL mix 49–1% CCT, 51–99% RGBWwL 100% RGBWwL mix
-	-	-	-	8	9	10	17	Dimmer 2	000 ⇔ 255	0–100%
-	-	-	-	-	-	-	18	Fine dimmer 2	000 ⇔ 255	0–100%
4	5	6	11	9	10	11	19	Red 2	000 ⇔ 255	0–100%
-	-	-	12	-	-	-	20	Fine red 2	000 ⇔ 255	0–100%
5	6	7	13	10	11	12	21	Green 2	000 ⇔ 255	0–100%
-	-	-	14	-	-	-	22	Fine green 2	000 ⇔ 255	0–100%
6	7	8	15	11	12	13	23	Blue 2	000 ⇔ 255	0–100%
-	-	-	16	-	-	-	24	Fine blue 2	000 ⇔ 255	0–100%
-	8	9	17	-	13	14	25	White 2	000 ⇔ 255	0–100%
-	-	-	18	-	-	-	26	Fine white 2	000 ⇔ 255	0–100%
-	-	10	19	-	-	15	27	Lime 2	000 ⇔ 255	0–100%
-	-	-	20	-	-	-	28	Fine lime 2	000 ⇔ 255	0–100%
-	-	-	-	12	14	16	29	Color temperature 2	000 ⇔ 255	See the Color Temperature Chart
-	-	-	-	-	-	-	30	Fine color temp. 2	000 ⇔ 255	Fine CCT adjust
-	-	-	-	13	15	17	31	Tint 2 (Default to 128)	000 ⇔ 255	-25–+25% green
-	-	-	-	14	16	18	32	Blend CCT with RGBWwL mix 2 (Default to 255)	000 001 ⇔ 126 127 ⇔ 128 129 ⇔ 254 255	100% color temperature control 99–51% CCT, 1–49% RGBWwL 50% CCT, 50% RGBWwL mix 49–1% CCT, 51–99% RGBWwL 100% RGBWwL mix
-	-	-	-	15	17	19	33	Dimmer 3	000 ⇔ 255	0–100%
-	-	-	-	-	-	-	34	Fine dimmer 3	000 ⇔ 255	0–100%
7	9	11	21	16	18	20	35	Red 3	000 ⇔ 255	0–100%
-	-	-	22	-	-	-	36	Fine red 3	000 ⇔ 255	0–100%

Operation

12	16	20	40	31	35	39	67	Function	Value	Percent/Setting
8	10	12	23	17	19	21	37	Green 3	000 ⇔ 255	0–100%
–	–	–	24	–	–	–	38	Fine green 3	000 ⇔ 255	0–100%
9	11	13	25	18	20	22	39	Blue 3	000 ⇔ 255	0–100%
–	–	–	26	–	–	–	40	Fine blue 3	000 ⇔ 255	0–100%
–	12	14	27	–	21	23	41	White 3	000 ⇔ 255	0–100%
–	–	–	28	–	–	–	42	Fine white 3	000 ⇔ 255	0–100%
–	–	15	29	–	–	24	43	Lime 3	000 ⇔ 255	0–100%
–	–	–	30	–	–	–	44	Fine lime 3	000 ⇔ 255	0–100%
–	–	–	–	19	22	25	45	Color temperature 3	000 ⇔ 255	See the Color Temperature Chart
–	–	–	–	–	–	–	46	Fine color temp. 3	000 ⇔ 255	Fine CCT adjust, warm to cool
–	–	–	–	20	23	26	47	Tint 3 (Default to 128)	000 ⇔ 255	-25–+25% green
–	–	–	–	21	24	27	48	Blend CCT with RGBWwL mix 3 (Default to 255)	000 001 ⇔ 126 127 ⇔ 128 129 ⇔ 254 255	100% color temperature control 99–51% CCT, 1–49% RGBWwL 50% CCT, 50% RGBWwL mix 49–1% CCT, 51–99% RGBWwL 100% RGBWwL mix
–	–	–	–	22	25	28	49	Dimmer 4	000 ⇔ 255	0–100%
–	–	–	–	–	–	–	50	Fine dimmer 4	000 ⇔ 255	0–100%
10	13	16	31	23	26	29	51	Red 4	000 ⇔ 255	0–100%
–	–	–	32	–	–	–	52	Fine red 4	000 ⇔ 255	0–100%
11	14	17	33	24	27	30	53	Green 4	000 ⇔ 255	0–100%
–	–	–	34	–	–	–	54	Fine green 4	000 ⇔ 255	0–100%
12	15	18	35	25	28	31	55	Blue 4	000 ⇔ 255	0–100%
–	–	–	36	–	–	–	56	Fine blue 4	000 ⇔ 255	0–100%
–	16	19	37	–	29	32	57	White 4	000 ⇔ 255	0–100%
–	–	–	38	–	–	–	58	Fine white 4	000 ⇔ 255	0–100%
–	–	20	39	–	–	33	59	Lime 4	000 ⇔ 255	0–100%
–	–	–	40	–	–	–	60	Fine lime 4	000 ⇔ 255	0–100%
–	–	–	–	26	30	34	61	Color temperature 4	000 ⇔ 255	See the Color Temperature Chart
–	–	–	–	–	–	–	62	Fine color temp. 4	000 ⇔ 255	Fine CCT adjust
–	–	–	–	27	31	35	63	Tint 4 (Default to 128)	000 ⇔ 255	-25–+25% green
–	–	–	–	28	32	36	64	Blend CCT with RGBWwL mix 4 (Default to 255)	000 001 ⇔ 126 127 ⇔ 128 129 ⇔ 254 255	100% color temperature control 99–51% CCT, 1–49% RGBWwL 50% CCT, 50% RGBWwL mix 49–1% CCT, 51–99% RGBWwL 100% RGBWwL mix
–	–	–	–	29	33	37	65	Strobe	000 ⇔ 255	See the Strobe Chart
–	–	–	–	20	34	38	66	Virtual Color Wheel	000 ⇔ 255	See the Virtual Color Wheel Chart
–	–	–	–	31	35	39	67	Control	000 ⇔ 255	See the Control Chart

HSV 13ch

Channel	Function	Value	Percent/Setting
1	Hue 1	000 ⇄ 255	0–100%
2	Saturation 1	000 ⇄ 255	0–100%
3	Value 1	000 ⇄ 255	0–100%
4	Hue 2	000 ⇄ 255	0–100%
5	Saturation 2	000 ⇄ 255	0–100%
6	Value 2	000 ⇄ 255	0–100%
7	Hue 3	000 ⇄ 255	0–100%
8	Saturation 3	000 ⇄ 255	0–100%
9	Value 3	000 ⇄ 255	0–100%
10	Hue 4	000 ⇄ 255	0–100%
11	Saturation 4	000 ⇄ 255	0–100%
12	Value 4	000 ⇄ 255	0–100%
13	Control	000 ⇄ 255	See the Control Chart

CCT 13ch

Channel	Function	Value	Percent/Setting
1	Dimmer 1	000 ⇄ 255	0–100%
2	Color temperature 1	000 ⇄ 255	See the Color Temperature Chart
3	Tint 1 (Default to 128)	000 ⇄ 255	-25–+25% green
4	Dimmer 2	000 ⇄ 255	0–100%
5	Color temperature 2	000 ⇄ 255	See the Color Temperature Chart
6	Tint 2 (Default to 128)	000 ⇄ 255	-25–+25% green
7	Dimmer 3	000 ⇄ 255	0–100%
8	Color temperature 3	000 ⇄ 255	See the Color Temperature Chart
9	Tint 3 (Default to 128)	000 ⇄ 255	-25–+25% green
10	Dimmer 4	000 ⇄ 255	0–100%
11	Color temperature 4	000 ⇄ 255	See the Color Temperature Chart
12	Tint 4 (Default to 128)	000 ⇄ 255	-25–+25% green
13	Control	000 ⇄ 255	See the Control Chart

Operation

2 Cell Personalities

XY

XY	Ext.	Function	Value	Percent/Setting
1	1	Dimmer 1	000 ⇔ 255	0–100%
–	2	Fine dimmer 1	000 ⇔ 255	0–100%
2	3	X coordinate 1	000 ⇔ 255	0–100%
–	4	Fine X coordinate 1	000 ⇔ 255	0–100%
3	5	Y coordinate 1	000 ⇔ 255	0–100%
–	6	Fine Y coordinate 1	000 ⇔ 255	0–100%
–	7	Strobe 1	000 ⇔ 255	See the Strobe Chart
–	8	Virtual Color Wheel 1	000 ⇔ 255	See the Virtual Color Wheel Chart
4	9	Dimmer 2	000 ⇔ 255	0–100%
–	10	Fine dimmer 2	000 ⇔ 255	0–100%
5	11	X coordinate 2	000 ⇔ 255	0–100%
–	12	Fine X coordinate 2	000 ⇔ 255	0–100%
6	13	Y coordinate 2	000 ⇔ 255	0–100%
–	14	Fine Y coordinate 2	000 ⇔ 255	0–100%
–	15	Strobe 2	000 ⇔ 255	See the Strobe Chart
–	16	Virtual Color Wheel 2	000 ⇔ 255	See the Virtual Color Wheel Chart
7	17	Control	000 ⇔ 255	See the Control Chart

RGB 6ch - RGBWL Full 35ch

35: RGBWL Full 35ch, 21: RGBWL Ext. 21ch, 19: RGBW Ext. 19ch, 17: RGB Ext. 17ch, 20: RGBWL 16-bit 20ch, 10: RGBWL 10ch, 8: RGBW 8ch, 6: RGB 6ch

6	8	10	20	17	19	21	35	Function	Value	Percent/Setting
–	–	–	–	1	1	1	1	Dimmer 1	000 ⇔ 255	0–100%
–	–	–	–	–	–	–	2	Fine dimmer 1	000 ⇔ 255	0–100%
1	1	1	1	2	2	2	3	Red 1	000 ⇔ 255	0–100%
–	–	–	2	–	–	–	4	Fine red 1	000 ⇔ 255	0–100%
2	2	2	3	3	3	3	5	Green 1	000 ⇔ 255	0–100%
–	–	–	4	–	–	–	6	Fine green 1	000 ⇔ 255	0–100%
3	3	3	5	4	4	4	7	Blue 1	000 ⇔ 255	0–100%
–	–	–	6	–	–	–	8	Fine blue 1	000 ⇔ 255	0–100%
–	4	4	7	–	5	5	9	White 1	000 ⇔ 255	0–100%
–	–	–	8	–	–	–	10	Fine white 1	000 ⇔ 255	0–100%
–	–	5	9	–	–	6	11	Lime 1	000 ⇔ 255	0–100%
–	–	–	10	–	–	–	12	Fine lime 1	000 ⇔ 255	0–100%
–	–	–	–	5	6	7	13	Color temperature 1	000 ⇔ 255	See the Color Temperature Chart
–	–	–	–	–	–	–	14	Fine color temp. 1	000 ⇔ 255	Fine CCT adjust
–	–	–	–	6	7	8	15	Tint 1 (Default to 128)	000 ⇔ 255	–25–+25% green
–	–	–	–	7	8	9	16	Blend CCT with RGBWwL mix 1 (Default to 255)	000 001 ⇔ 126 127 ⇔ 128 129 ⇔ 254 255	100% color temperature control 99–51% CCT, 1–49% RGBWwL 50% CCT, 50% RGBWwL mix 49–1% CCT, 51–99% RGBWwL 100% RGBWwL mix
–	–	–	–	8	9	10	17	Dimmer 2	000 ⇔ 255	0–100%
–	–	–	–	–	–	–	18	Fine dimmer 2	000 ⇔ 255	0–100%
4	5	6	11	9	10	11	19	Red 2	000 ⇔ 255	0–100%

6	8	10	20	17	19	21	35	Function	Value	Percent/Setting
-	-	-	12	-	-	-	20	Fine red 2	000 ⇔ 255	0–100%
5	6	7	13	10	11	12	21	Green 2	000 ⇔ 255	0–100%
-	-	-	14	-	-	-	22	Fine green 2	000 ⇔ 255	0–100%
6	7	8	15	11	12	13	23	Blue 2	000 ⇔ 255	0–100%
-	-	-	16	-	-	-	24	Fine blue 2	000 ⇔ 255	0–100%
-	8	9	17	-	13	14	25	White 2	000 ⇔ 255	0–100%
-	-	-	18	-	-	-	26	Fine white 2	000 ⇔ 255	0–100%
-	-	10	19	-	-	15	27	Lime 2	000 ⇔ 255	0–100%
-	-	-	20	-	-	-	28	Fine lime 2	000 ⇔ 255	0–100%
-	-	-	-	12	14	16	29	Color temperature 2	000 ⇔ 255	See the Color Temperature Chart
-	-	-	-	-	-	-	30	Fine color temp. 2	000 ⇔ 255	Fine CCT adjust
-	-	-	-	13	15	17	31	Tint 2 (Default to 128)	000 ⇔ 255	-25–+25% green
-	-	-	-	14	16	18	32	Blend CCT with RGBWwL mix 2 (Default to 255)	000 001 ⇔ 126 127 ⇔ 128 129 ⇔ 254 255	100% color temperature control 99–51% CCT, 1–49% RGBWwL 50% CCT, 50% RGBWwL mix 49–1% CCT, 51–99% RGBWwL 100% RGBWwL mix
-	-	-	-	15	17	19	33	Strobe	000 ⇔ 255	See the Strobe Chart
-	-	-	-	16	18	20	34	Virtual Color Wheel	000 ⇔ 255	See the Virtual Color Wheel Chart
-	-	-	-	17	19	21	35	Control	000 ⇔ 255	See the Control Chart

HSV 7ch

Channel	Function	Value	Percent/Setting
1	Hue 1	000 ⇔ 255	0–100%
2	Saturation 1	000 ⇔ 255	0–100%
3	Value 1	000 ⇔ 255	0–100%
4	Hue 2	000 ⇔ 255	0–100%
5	Saturation 2	000 ⇔ 255	0–100%
6	Value 2	000 ⇔ 255	0–100%
7	Control	000 ⇔ 255	See the Control Chart

CCT 7ch

Channel	Function	Value	Percent/Setting
1	Dimmer 1	000 ⇔ 255	0–100%
2	Color temperature 1	000 ⇔ 255	See the Color Temperature Chart
3	Tint 1 (Default to 128)	000 ⇔ 255	-25–+25% green
4	Dimmer 2	000 ⇔ 255	0–100%
5	Color temperature 2	000 ⇔ 255	See the Color Temperature Chart
6	Tint 2 (Default to 128)	000 ⇔ 255	-25–+25% green
7	Control	000 ⇔ 255	See the Control Chart

Operation

1 Cell Personalities

XY

XY	Ext.	Function	Value	Percent/Setting
1	1	Dimmer	000 ⇔ 255	0–100%
–	2	Fine dimmer	000 ⇔ 255	0–100%
2	3	X coordinate	000 ⇔ 255	0–100%
–	4	Fine X coordinate	000 ⇔ 255	0–100%
3	5	Y coordinate	000 ⇔ 255	0–100%
–	6	Fine Y coordinate	000 ⇔ 255	0–100%
–	7	Strobe	000 ⇔ 255	See the Strobe Chart
–	8	Virtual Color Wheel	000 ⇔ 255	See the Virtual Color Wheel Chart
4	9	Control	000 ⇔ 255	See the Control Chart

RGB 3ch - RGBWL Full 19ch

19: RGBWL Full 19ch, 12: RGBWL Ext. 12ch, 11: RGBW Ext. 11ch, 10B: RGB Ext. 10ch, 10A: RGBWL 16-bit 10ch, 5: RGBWL 5ch, 4: RGBW 4ch, 3: RGB 3ch

3	4	5	10A	10B	11	12	19	Function	Value	Percent/Setting
–	–	–	–	1	1	1	1	Dimmer	000 ⇔ 255	0–100%
–	–	–	–	–	–	–	2	Fine dimmer	000 ⇔ 255	0–100%
1	1	1	1	2	2	2	3	Red	000 ⇔ 255	0–100%
–	–	–	2	–	–	–	4	Fine red	000 ⇔ 255	0–100%
2	2	2	3	3	3	3	5	Green	000 ⇔ 255	0–100%
–	–	–	4	–	–	–	6	Fine green	000 ⇔ 255	0–100%
3	3	3	5	4	4	4	7	Blue	000 ⇔ 255	0–100%
–	–	–	6	–	–	–	8	Fine blue	000 ⇔ 255	0–100%
–	4	4	7	–	5	5	9	White	000 ⇔ 255	0–100%
–	–	–	8	–	–	–	10	Fine white	000 ⇔ 255	0–100%
–	–	5	9	–	–	6	11	Lime	000 ⇔ 255	0–100%
–	–	–	10	–	–	–	12	Fine lime	000 ⇔ 255	0–100%
–	–	–	–	5	6	7	13	Color temperature	000 ⇔ 255	See the Color Temperature Chart
–	–	–	–	–	–	–	14	Fine color temp.	000 ⇔ 255	Fine CCT adjust
–	–	–	–	6	7	8	15	Tint (Default to 128)	000 ⇔ 255	–25–+25% green
–	–	–	–	7	8	9	16	Blend CCT with RGBWwL mix (Default to 255)	000 001 ⇔ 126 127 ⇔ 128 129 ⇔ 254 255	100% color temperature control 99–51% CCT, 1–49% RGBWwL 50% CCT, 50% RGBWwL mix 49–1% CCT, 51–99% RGBWwL 100% RGBWwL mix
–	–	–	–	8	9	10	17	Strobe	000 ⇔ 255	See the Strobe Chart
–	–	–	–	9	10	11	18	Virtual Color Wheel	000 ⇔ 255	See the Virtual Color Wheel Chart
–	–	–	–	10	11	12	19	Control	000 ⇔ 255	See the Control Chart

HSV 4ch

Channel	Function	Value	Percent/Setting
1	Hue	000 ⇔ 255	0–100%
2	Saturation	000 ⇔ 255	0–100%
3	Value	000 ⇔ 255	0–100%
4	Control	000 ⇔ 255	See the Control Chart

CCT 4ch

Channel	Function	Value	Percent/Setting
1	Dimmer	000 ⇄ 255	0–100%
2	Color temperature	000 ⇄ 255	See the Color Temperature Chart
3	Tint (Default to 128)	000 ⇄ 255	-25–+25% green
4	Control	000 ⇄ 255	See the Control Chart

Standalone Configuration

Static Mode

The static mode options under **Virtual Color Wheel** also include preset color temperatures, a manual color mixer, and cross-fade speed.

Fixed Colors

To select a fixed color:

1. Go to the **Static** main level.
2. Select the **Fixed Colors** option.
3. Select the desired color combination, from **Red**, **Green**, **Blue**, **Warm White**, **Lime**, **RB** (Red and blue), **GB** (Green and blue), **RG** (Red and green), **RGB** (Red, green, and blue), **RGBWw** (Red, green, blue, and white), **RGBL** (Red, green, blue, and lime), or **RGBWwL** (Red, green, blue, white, and lime).
4. Set the **Dimmer** value (**000–255**).

Manual Color Mixer

To manually mix a custom static color:

1. Go to the **Static** main level.
2. Select the **Manual Color Mixer** option.
3. Select the color to edit (**Red**, **Green**, **Blue**, **Warm White**, or **Lime**).
4. Set the value for the selected color (**000–255**).
5. Repeat steps 3 and 4 until product outputs as desired.

Color Temperature

To select a preset color temperature:

1. Go to the **Static** main level.
2. Select the **Color Temperature** option.
3. Select the desired color temperature, from **2800K**, **3000K**, **3200K**, **3500K**, **4000K**, **4500K**, **5000K**, **5600K**, **6000K**, **6500K**, **7000K**, **7500K**, or **8000K**.
4. Set the **Dimmer** value (**000–255**).

Auto Show

To select an automatic program:

1. Go to the **Static** main level.
2. Select the **Auto Show** option.
3. Select the desired auto program (**Auto 1–6**).
4. Set the **Speed** value (**001–100**).

Virtual Color Wheel

To select from the Virtual Color Wheel:

1. Go to the **Static** main level.
2. Select the **Virtual Color Wheel** option.
3. Select the desired virtual gel color (see the [Virtual Color Wheel Chart](#)).
4. Set the **Dimmer** value (**000–255**).

Color X-Fade Speed

The Color X-Fade Speed option creates a fade transition between colors when using colors in the Virtual Color Wheel or the Color Temperature chart.

1. Go to the **Static** main level.
2. Select the **Color X-Fade Speed** option.
3. Select **Off** (to turn off the fade transition between colors) or **X-Fade Speed 1–4** (from fast to slow).

Operation

Settings Configuration

Master/Slave

To set the COLORado Solo Bar 1 product to master or slave mode:

1. Go to the **Master/Slave** main level.
2. Select from **Master** (sends control signal) or **Slave** (receives control signal).



- **Configure all the slave products before connecting the master to the daisy chain.**
- **Never connect a DMX controller to a DMX string configured for Master/Slave operation because the controller may interfere with the signals from the master.**
- **Do not connect more than 31 slaves to the master.**

Test Modes

To run an automatic test of the LED output or to test each LED color individually:

1. Go to the **Test Modes** main level.
2. Select from **Auto** (test all colors automatically) or **Manual Test**.
3. If **Manual Test**, select the desired parameter to test, from **Dimmer**, **Red**, **Green**, **Blue**, **Warm White**, or **Lime**.
4. Set the value of the selected parameter, from **000–255**.

Wireless Lumenradio CRMX™ Settings

Toggle CRMX™

To enable or disable wireless CRMX™ control:

1. Go to the **Wireless Setting** main level.
2. Select the **Receive Off/On** option.
3. Select from **Off** (disabled) or **On** (enabled).

Receiver Reset

To reset the CRMX™ receiver:

1. Go to the **Wireless Setting** main level.
2. Select the **Receive Reset** option.
3. Select from **No** (do not reset) or **Yes** (reset).

Wireless to DMX

The COLORado Solo Bar 1 can convert wireless CRMX™ to wired DMX output. To enable or disable this function:

1. Go to the **Wireless Setting** main level.
2. Select the **Wireless To DMX** option.
3. Select from **No** (do not convert) or **Yes** (convert).

Other Settings

Cell Order

To set the order of the cells:

1. Go to the **Other Settings** main level.
2. Select the **Cell Order** option.
3. Select from **1 > 4** or **4 > 1**.

Color Calibration

To configure the color calibration:

1. Go to the **Other Settings** main level.
2. Select the **Color Calibration** option.
3. Select from **Off**, **User Calibration**, or **Factory Calibration**.
4. If **User Calibration**, select the maximum color value to edit, from **Red**, **Green**, **Blue**, **Warm White**, or **Lime**.
5. Set the maximum level for the selected color, from **125–255**.
6. Repeat until the colors are calibrated as desired.

Red Shift

With red shift enabled, the color temperature will warm as the dimmer decreases in imitation of a lamp. To enable or disable the red shift function:

1. Go to the **Other Settings** main level.
2. Select the **Red Shift** option.
3. Select from **On** or **Off**.

Dimmer Curve

To set the dimmer curve:

1. Go to the **Other Settings** main level.
2. Select the **Dimmer Curve** option.
3. Select from **S-Curve**, **Linear**, **Square**, or **Inverse Square**.

Dimmer Speed Mode

To set the dimmer speed:

1. Go to the **Other Settings** main level.
2. Select the **Dimmer Mode** option.
3. Select the dimmer speed mode from **Off** (instant), **Dimmer 1** (fastest), **Dimmer 2**, or **Dimmer 3** (slowest).

Display Backlight

To set how long the display will stay lit without activity:

1. Go to the **Other Settings** main level.
2. Select the **Back Light** option.
3. Select from **10S** (10 seconds), **30S** (30 seconds), **2Min** (2 minutes), or **Always On**.

Display Invert

To invert the display:

1. Go to the **Other Settings** main level.
2. Select the **Display Invert** option.
3. Select from **Auto** (automatically sets display orientation), **No** (does not invert the display), or **Yes** (inverts the display).

Pulse Width Modulation

To set the frequency of the pulse width modulation:

1. Go to the **Other Settings** main level.
2. Select the **LED Frequency** option.
3. Select the PWM frequency, from **600Hz**, **1200Hz**, **2000Hz**, **4000Hz**, **6000Hz**, or **25KHz**.

Key Lock

To lock or unlock the control panel:

1. Go to the **Other Settings** main level.
2. Select the **Key Lock** option.
3. Select **On** (locks control panel) or **Off** (control panel stays unlocked).



When the key lock is activated, the product will prompt for the passcode in order to access the menu. The passcode is <UP>, <DOWN>, <UP>, <DOWN>, <ENTER>.

Info & Updating

Information

To view product information, such as the number of hours the product has been on, the driver firmware, etc.:

1. Go to the **Info & Updating** main level.
2. Select the **Information** option.

Temperature

To view the temperatures of the display board and the LEDs in °C:

1. Go to the **Info & Updating** main level.
2. Select the **Temperature** option.

Operation

Clock Setting

To set the date and time on the internal clock:

1. Go to the **Info & Updating** main level.
2. Select the **Clock Setting** option.
3. Enter the year (**2000–2099**), month (**01–12**), day (**01–31**), hour (**00–24**), minute (**01–59**), and second (**01–59**).
4. Confirm **Save&ESC** to complete.

Current Time

To view the current date and time as set by the internal clock:

1. Go to the **Info & Updating** main level.
2. Select the **Current Time** option.

Factory Reset

To reset the product to factory default settings:

1. Go to the **Factory Reset** main level.
2. Select **No** (do not reset) or **Yes** (reset).

Web Server

The COLORado Solo Bar 1 Web Server can be accessed by any computer on the same network as the product. It allows network access to system information, settings such as control protocol and starting address, color output testing, and the ability to change the Web Server password.

1. Connect the product to a Windows computer with a network cable.
2. On the computer, set the IP address of the new network to have the same first 3 digits as the IP address of the product (See [IP Address](#)).
3. Enter the IP address of the product into the URL bar of a web browser on the computer.
4. Enter both the User Name and Password as **admin** to log in.

Home

The Web Server Home page displays the details of all available control personalities and the technical specifications for the COLORado Solo Bar 1.

Settings

The Web Server Settings page provides options for control. From the drop-down menus, the Protocol, Universe, Start Address, IP Address, Ethernet to DMX, Personality, Dimmer Curve, Dimmer Mode, and PWM Frequency can all be edited. Click **Save Settings** to send the new configuration to the product.

Output

On the Web Server Output page, an output test of the product's LEDs can be performed, by either editing the values of each LED manually (by typing the number or moving the fader), or by selecting a sample color. The page will show the current output color on the bottom left.

Security

The Web Server Security page gives the option to change the password to the connected product's web server. Enter the old password (**admin**, by default) and the new password twice, then click **Save Settings** to change the password.

Error Codes

See the table below for error codes and recommended solutions:

Error Code	Possible Reason	Potential Solution
Temperature shows -40°C	The thermistor is not welded properly	Replace the board or weld the thermistor
	The temperature control wire is not connected or has a poor connection	Check the wire connection
Temperature shows 125°C	The thermistor is not welded properly	Replace the board or weld the thermistor
	Short circuit in the temperature control connector	Check the temperature control wire connector
No such file!	USB has a poor connection	Replug the USB
	The USB internal wires have a poor connection	Change the USB
	No upgrade file in the USB	Check the files in the USB
Model error !	Error reading the file content	Check if the file content is correct

5. Maintenance

Product Maintenance

Dust build-up reduces light output performance and can cause overheating. This can lead to reduction of the light source's life and/or mechanical wear. To maintain optimum performance and minimize wear, clean each lighting product at least twice a month. However, be aware that usage and environmental conditions could be contributing factors to increase the cleaning frequency.

To clean the product, follow the instructions below:

1. Unplug the product from power.
2. Wait until the product is at room temperature.
3. Use a vacuum (or dry compressed air) and a soft brush to remove dust collected on the external surface/vents.
4. Clean all transparent surfaces with a mild soap solution, ammonia-free glass cleaner, or isopropyl alcohol.
5. Apply the solution directly to a soft, lint free cotton cloth or a lens cleaning tissue.
6. Softly drag any dirt or grime to the outside of the transparent surface.
7. Gently polish the transparent surfaces until they are free of haze and lint.



Always dry the transparent surfaces carefully after cleaning them.

Torque Measurements

To maintain the IP rating when reassembling the product, use the given torque measurements for each of the following screws and bolts:

Fixture Parts	Torque Rating (Kgf.cm)	Torque Rating (lbf.in)
Connectors	4	3.47184
Fuse	12	10.41552
Power block, power box and side covers, trim strip	8	6.94368

Vacuum Test Measurements

Use the IP Tester from Chauvet Professional to ensure the product has been reassembled correctly by following the information below:

Parameters	Values
Method	Positive
Test pressure	40 kPa
Test duration	60 seconds
PASS state leak pressure	0.5 kPa

Technical Specifications

6. Technical Specifications

Dimensions and Weight

Length	Width	Height	Weight
12.13 in (308 mm)	6.30 in (160 mm)	8.36 in (212.4 mm)	13.1 lb (6.1 kg)

Note: Dimensions in inches are rounded.

Power

Power Supply Type	Range	Voltage Selection
Switching (internal)	100 to 240 VAC, 50/60 Hz	Auto-ranging

Parameter	100 V, 60 Hz	120 V, 60 Hz	208 V, 60 Hz	230 V, 50 Hz	240 V, 50 Hz
Consumption	110 W	108 W	106 W	105 W	107 W
Operating Current	1.12 A	0.93 A	0.59 A	0.48 A	0.46 A
Power linking current (products)	12 A (10 products)	12 A (12 products)	12 A (20 products)	12 A (25 products)	12 A (26 products)

Power I/O	U.S./Worldwide	UK/Europe
Power Input Connectors	Seetronic Powerkon IP65	Seetronic Powerkon IP65
Power Output Connector	Seetronic Powerkon IP65	Seetronic Powerkon IP65
Power Cable plug	Edison	Local plug

Light Source

Type	Color	Quantity
LED Engine	RGBWwL	4

Photometrics

Color Temp. Range	Color Temp. at Full	CRI (2800K)
2800 to 8000 K	9056 K	95

Optics	Beam Angle	Field Angle	Illuminance @ 5 m
Clear Protective Filter	16.5°	33.4°	874 lux
CYC Filter	27.3°	74.3°	276 lux
50/50 Filter	17.7°	43.7°	595 lux
Stealth Filter	25.3°	59.7°	129 lux

Thermal

Maximum External Temperature	Cooling System
113 °F (45 °C)	Convection

Control

DMX I/O Connector	Art-Net™ / sACN I/O Connector	Channel Range
5-pin XLR, Wireless CRMX™	Seetronic Etherkon	1 Cell: 4, 4, 3, 4, 5, 10, 10, 11, 12, 19, 4, or 9 2 Cell: 7, 7, 6, 8, 10, 20, 17, 19, 21, 35, 7, or 17 4 Cell: 13, 13, 12, 16, 20, 40, 31, 35, 39, 67, 13, or 33

Ordering

Product Name	Item Name	Item Code	UPC Number
COLORado Solo Bar 1	COLORADOSOLOBAR1	03032277	781462226251



UL 1573
CSA C22.2 No. 166
E113093



RoHS



Contact Us

General Information	Technical Support
Chauvet World Headquarters	
Address: 3360 Davie Rd., Suite 509 Davie, FL 33314 Voice: (954) 577-4455 Fax: (954) 929-5560 Toll Free: (800) 762-1084	Voice: (844) 393-7575 Fax: (954) 756-8015 Email: chauvetcs@chauvetlighting.com Website: www.chauvetprofessional.com
Chauvet U.K.	
Address: Pod 1 EVO Park Little Oak Drive, Sherwood Park Nottinghamshire, NG15 0EB UK Voice: +44 (0) 1773 511115 Fax: +44 (0) 1773 511110	Email: UKtech@chauvetlighting.eu Website: www.chauvetprofessional.eu
Chauvet Benelux	
Address: Stokstraat 18 9770 Kruishoutem Belgium Voice: +32 9 388 93 97	Email: BNLtech@chauvetlighting.eu Website: www.chauvetprofessional.eu
Chauvet France	
Address: 3, Rue Ampère 91380 Chilly-Mazarin France Voice: +33 1 78 85 33 59	Email: FRtech@chauvetlighting.fr Website: www.chauvetprofessional.eu
Chauvet Germany	
Address: Bruno-Bürgel-Str. 11 28759 Bremen Germany Voice: +49 421 62 60 20	Email: DEtech@chauvetlighting.de Website: www.chauvetprofessional.eu
Chauvet Mexico	
Address: Av. de las Partidas 34 - 3B (Entrance by Calle 2) Zona Industrial Lerma Lerma, Edo. de México, CP 52000 Voice: +52 (728) 690-2010	Email: servicio@chauvet.com.mx Website: www.chauvetprofessional.mx

Warranty & Returns

For warranty terms and conditions and return information, please visit our website.

For customers in the United States and Mexico: www.chauvetlighting.com/warranty-registration.

For customers in the United Kingdom, Republic of Ireland, Belgium, the Netherlands, Luxembourg, France, and Germany: www.chauvetlighting.eu/warranty-registration.